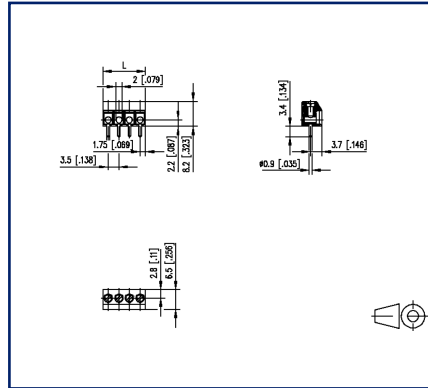


Data sheet
RT063xxHBNC Type 060

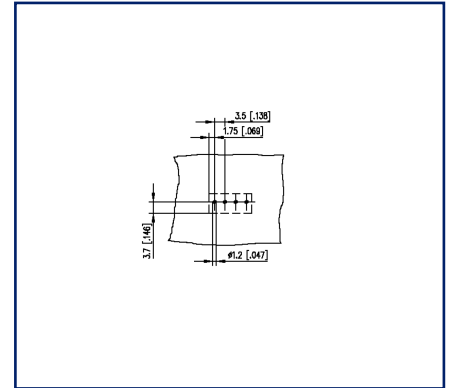
Illustrations



Dimensional drawing



Drill pattern





See enlarged drawings at the end of document

Product specification

- screw type terminal block, solderable
- centerline 3.50 mm, direction of connection 90°
- fittable without loss of poles
- color black

Technical Data

General Data			
Tightening torque SEV	0.15 Nm		
Tightening torque UL	1.3 lb-in		
Solder pin length	3.4 mm		
min. number of poles	2		
max. number of poles	16		
Insulating material class	CTI 600		
clearance/creepage dist.	2.1 mm		
Protection category	IP20		
Min. insul. strip length	5 mm		
Rated current	6 A		
Overvoltage category	III	III	II
Pollution degree	3	2	2
Rated voltage	40 V	250 V	250 V
Rated test voltage	1.5 kV	1.5 kV	1.5 kV
Terminal data			
rat.wiring solid AWGmax	0.08 mm ² - 2 mm ² / AWG 28 - AWG 14		
rat.wiring strand.AWGmax	0.08 mm ² - 2 mm ² / AWG 28 - AWG 14		
Approvals			
 V / A / AWG	125 / 15 / 20 - 14		
approval UL - File No.	E121004		
 1 mm ²	125 V / 13.5 A / T60		
Material			
insulating material	PA66		
flammability class	V0		
terminal body thread	M2		
terminal body material	CuZnPb		
terminal body surface	Cu + Ni + Sn		
screw thread	M2		
screw material	8,8		
screw surface	Zn Cr(VI)-frei/free		

U | Contact

Data sheet RT063xxHBNC Type 060

Page 3/5

P/N
310601xx

xx=number of poles

2023/06/26

Version: W

Technical Data

Glow-Wire Flammability GWFI	960 °C acc. to IEC 60695-2-12
Glow-Wire Flammability GWIT	775 °C acc. to IEC 60695-2-13

Climatic Data

upper limit temperature	105 °C
lower limit temperature	-40 °C

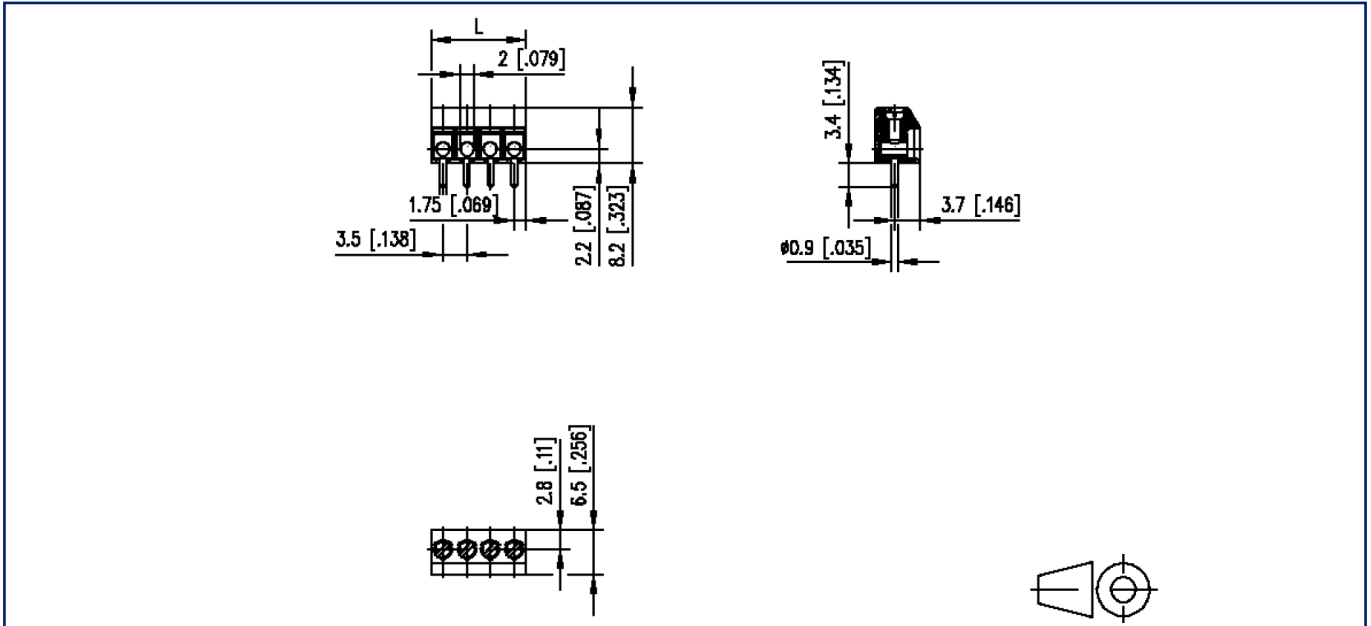
general

Tolerance	ISO 2768 -mH
Solderability	Acc. to JEDEC JESD22-B102E 245°C/5s



Illustrations

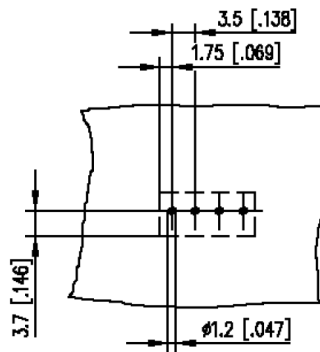
Dimensional drawing



$L = (\text{pole size} - 1) \times \text{centerline} + 3.5 \text{ mm } [0.138]$

Illustrations

Drill pattern



© 2023 METZ CONNECT - Technische Änderungen vorbehalten! Subject to modifications! Sous réserve de modifications techniques!