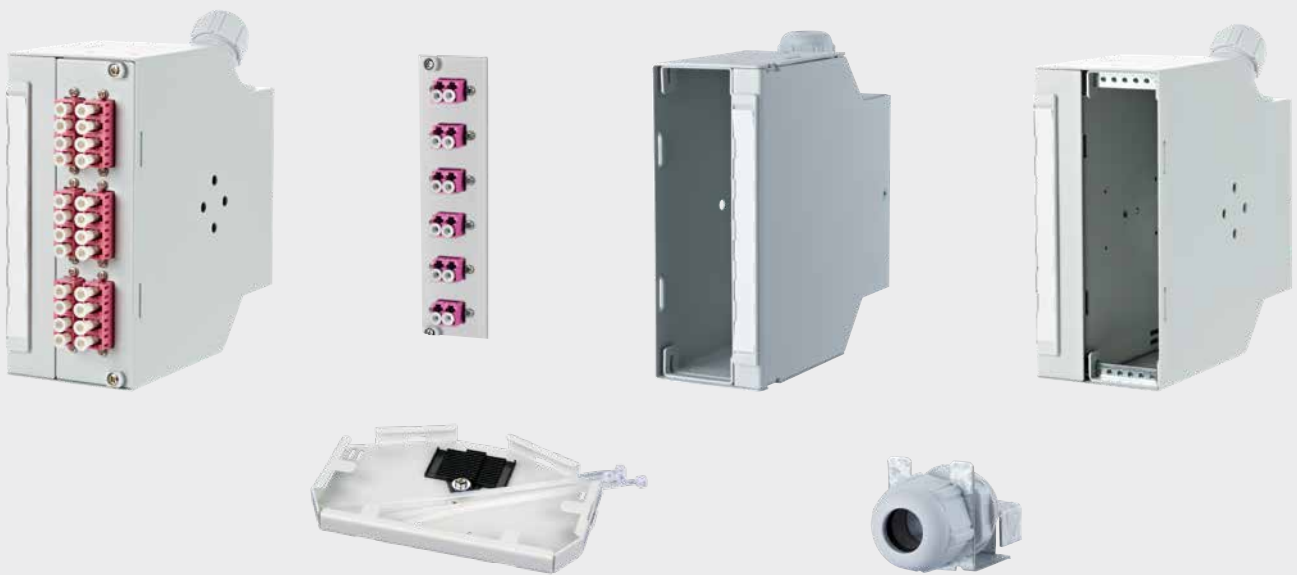


# Product information – OpDAT REGpro (modular)



## Product description

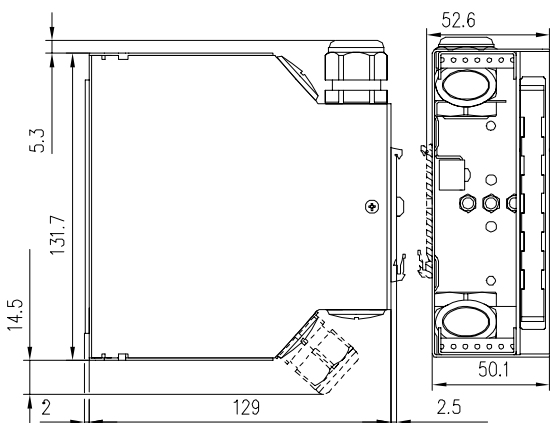
- > Compact distributor housing for TH-35 DIN rail/top hat rail systems
  - > Modular system for individual configuration consists of:
    - Housing
    - Front plate
    - Splice tray
  - > For the installation of pigtails or pre-terminated cables
  - > can be used as compact splice box for 2 installation cables up to 24 fibers
  - > Housing with DIN rail/top hat rail holder and identification label
  - > Front plate (3U/7HP) with SC duplex, LC duplex, LC-Quad, E2000 simplex or ST adapters.  
Other types available on request
  - > Splice tray for up to 12 splices, equipped with crimp or shrink splice holders
  - > Various installation variants are possible due to different mounting options of the DIN rail/top hat rail holder on the OpDAT REGpro housing
  - > Cable insertion from above or below, inclined or straight, possible with an M20 strain relief (Included in delivery)
  - > Housing made from sheet steel, powder coated (white, RAL 9010)
- Suitable accessories available for your individual configuration

## Technical data

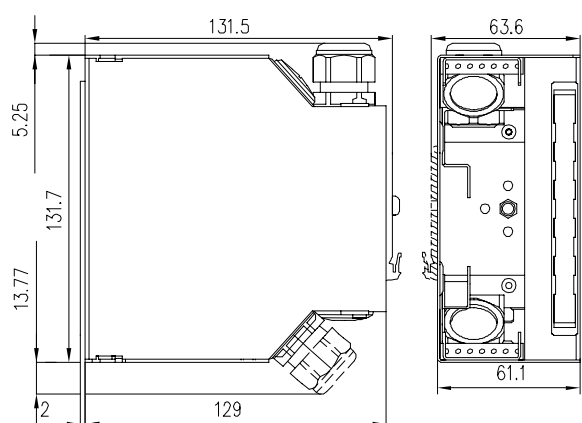
DESCRIPTION	CONTENT	OPDAT REGPRO	OPDAT REGPRO24
Housing (W x H x L) without front panels	Rail mounting bracket Labeling field Strain relief M20 Cable ties Cable clamp	50 x 132 x 129 mm	61 x 132 x 129 mm
Equipped front plate	SC-Duplex LC-Duplex LC-Quad ST-Simplex E2000-Simplex	max. 6 max. 6 max. 3 max. 12 max. 12	max. 6 max. 6 max. 6 max. 12 max. 12
Splice tray	Fiber reservoir Splice holder Cable ties	max. 1 piece (for 12 splices)	max. 2 pieces (for 24 splices)
<b>ACCESSORIES</b>			
Strain relief M20	Strain relief for Kevlar M20 cable gland	max. 2 pieces	max. 2 pieces

## Dimensional drawing

OpDAT REGpro



OpDAT REGpro 24



## Ordering information

DESCRIPTION	OPDAT REGPRO	OPDAT REGPRO24				
Housing	15024A10-E	15024A10-24-E				
Splice tray	with crimp splice holder with shrink splice holder	15024ASK-E 15024ASK-S				
	ADAPTER TYPE	COLOR	FIBER TYPE	PIECES		
	SC-D	aqua	OM3	6	15024ABA06-E	-
		violet	OM4	6	15024ABB06-E	-
	SC-D UPC	blue	OS2	6	15024AE206-E	-
	SC-D APC	green	OS2	6	15024AF206-E	-
Equipped front plate	LC-Q	aqua	OM3	6	-	15024A7806-E
		violet	OM4	6	-	15024A7906-E
	LC-Q UPC	blue	OS2	6	-	15024A7106-E
	LC-Q APC	green	OS2	6	-	15024A7A06-E
	LC-D	aqua	OM3	6	15024A7706-E	-
		violet	OM4	6	15024A7506-E	-
	LC-D UPC	blue	OS2	6	15024A7406-E	-
	LC-D APC	green	OS2	6	15024A7606-E	-
	E2000-S APC	green	OS2	12	15024A5912-E	-
	ST-S	metal	(SM+MM)	12	15024A0112-E	-

## Accessories

		P/N
Strain relief M20		150240M20Z-E
Blind plate		15024A0000-E
Splice protection	Crimp Shrink	15090401-E (packing unit with 12 pieces) 15090402-I (packing unit with 12 pieces)

METZ CONNECT GmbH is member of the following organizations and associations.



#### METZ CONNECT USA Inc.

200 Tornillo Way  
Tinton Falls, NJ 07712  
USA

Phone +1-732-389-1300  
Fax +1-732-389-9066

#### METZ CONNECT France SAS

28, Rue Schweighaeuser  
67000 Strasbourg  
France

Phone +33 3886 170 73  
Fax +33 3886 194 73

#### METZ CONNECT Zhongshan Ltd.

Ping Chang Road  
Ping Pu Industrial Park  
Sanxiang Town  
Zhongshan City, 528463  
Guangdong Province  
China

Phone +86 760 86365 055  
Fax +86 760 86365 050

#### METZ CONNECT Asia Pacific Ltd.

Suite 1803, 18/F  
Chinachem Hollywood Centre,  
1 Hollywood Road, Central  
Hong Kong

Phone +852 26 027 300  
Fax +852 27 257 522

#### METZ CONNECT GmbH

Im Tal 2  
78176 Blumberg  
Germany

Phone +49 7702 533-0  
Fax +49 7702 533-189

info@metz-connect.com  
www.metz-connect.com

