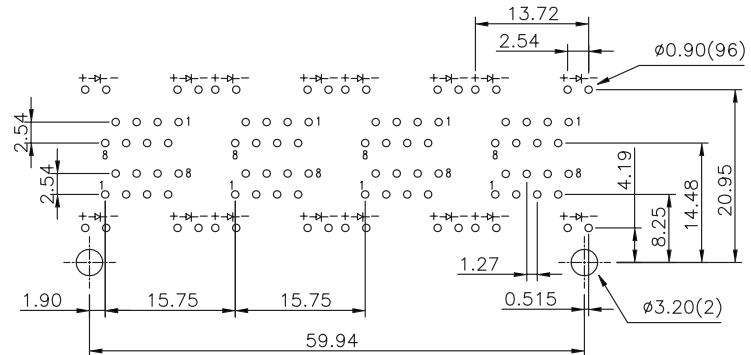
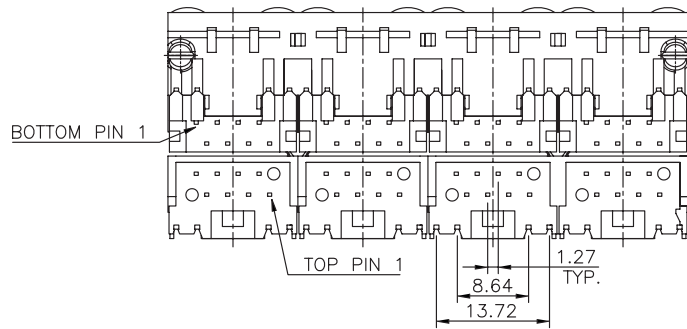


**MATERIAL:**

- BOTTOM HOUSING—DSM STANYL TE250F6 (NYLON-46)  
HEAT DEFLECTION TEMP.290°  
BLACK COLOR, UL94V-0
  - TOP HOUSING—PBT POLYESTER UL94V-0  
MIXED GLASS FIBER, BLACK COLOR.
  - CONTACTS—0.35mm THICK PHOS-BRONZE PLATED  
WITH HARD GOLD AND GOLD FLASH IN  
SOLDER AREA.
- CAVITY CONFIRMS TO FCC RULES AND REGULATIONS  
PART 68,SUBPART F.



**PCB LAYOUT**

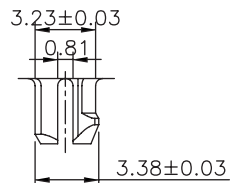
Ref.

**Ordering Information**

AJT36L 8 8 8 X-0 X 0

Type Positions Contacts Ports Plating  
1 = 6u"  
3 = 30u"  
No Shield

LED1	LED2	LED1	LED2
1= Yellow	Green	5= Green	Red
2= Green	Green	6= Red	Green
3= Green	Yellow	7= Yellow	Yellow
4= Green	Orange	8= Grn/Ylw	Grn/Ylw
		9= Red/Grn	Red/Grn



**DETAIL X**

<b>Tolerance</b> unless otherwise specified
.0 ± .25
.00 ± .20
.000 ± .10

<b>METZ</b> CONNECT	P/N: AJT36L888X-0X0
Desc.: Side entry, unshielded, 2 X 4, LED, thru hole modular jack	
Date: 9-01-09	Drawn By: Donna Mears
Dimensions in mm	Verified By: Mike Balekdjian