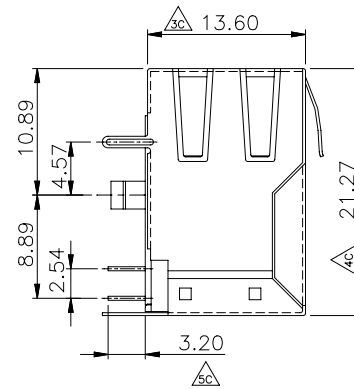
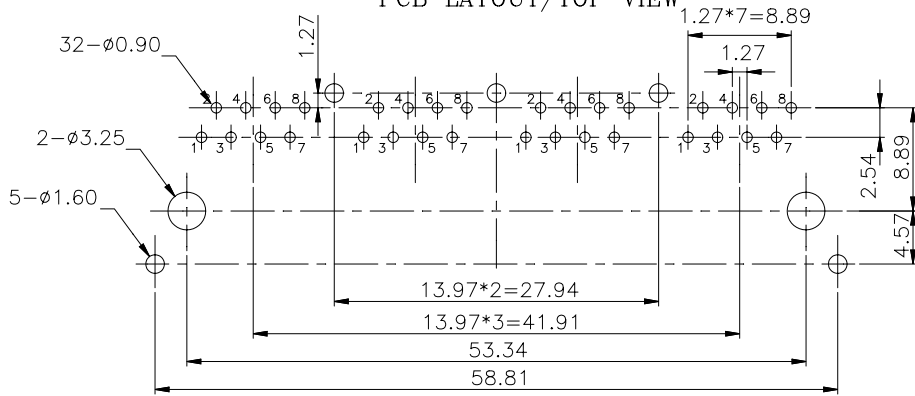


**MATERIALS:**

PLASTIC HOUSING: HIGH TEMP. THERMOPLASTIC  
 FLAMMABILITY RATING UL 94V-0.  
 CONTACTS: 0.35mm THICKNESS PHOSPHOR BRONZE  
 PLATING: GOLD PLATING OVER NICKEL IN CONTACT.  
 TIN PLATING OVER NICKEL IN SOLDER AREA.  
 SHIELDED: BRASS WITH NICKEL PLATED



**PCB LAYOUT/TOP VIEW**



**Ordering Information**

AJT42D	8	8	4	X
Type	Positions	Contacts	Ports	Plating
				1 = 6u"
				3 = 30u"

<b>Tolerance</b> unless otherwise specified
mm
X ± .50
.X ± .38
.XX ± .25
.XXX ± .10
angles ± 3°

<b>METZ</b> CONNECT	P/N: AJT42D884X
Desc.: Side entry, CAT 5, shielded, thru hole modular jack	
Date: 5-10-10	Drawn By: Donna Mears
Dimensions in mm	Verified By: Mike Balekdjian