

Data Sheet

AJT44L, 8P/8C

Page 1/3

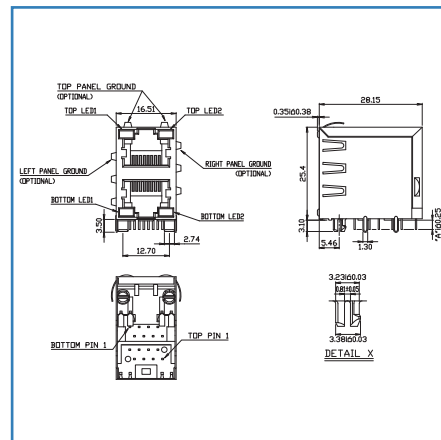
Part No.
AJT44L8821-014

2013-12-23

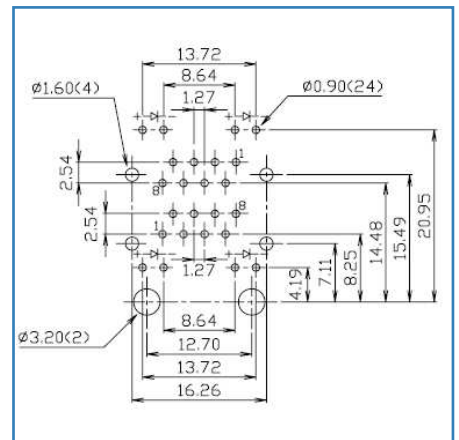
Illustrations



Dimensions



PCB layout



see enlarged drawings at the end of document

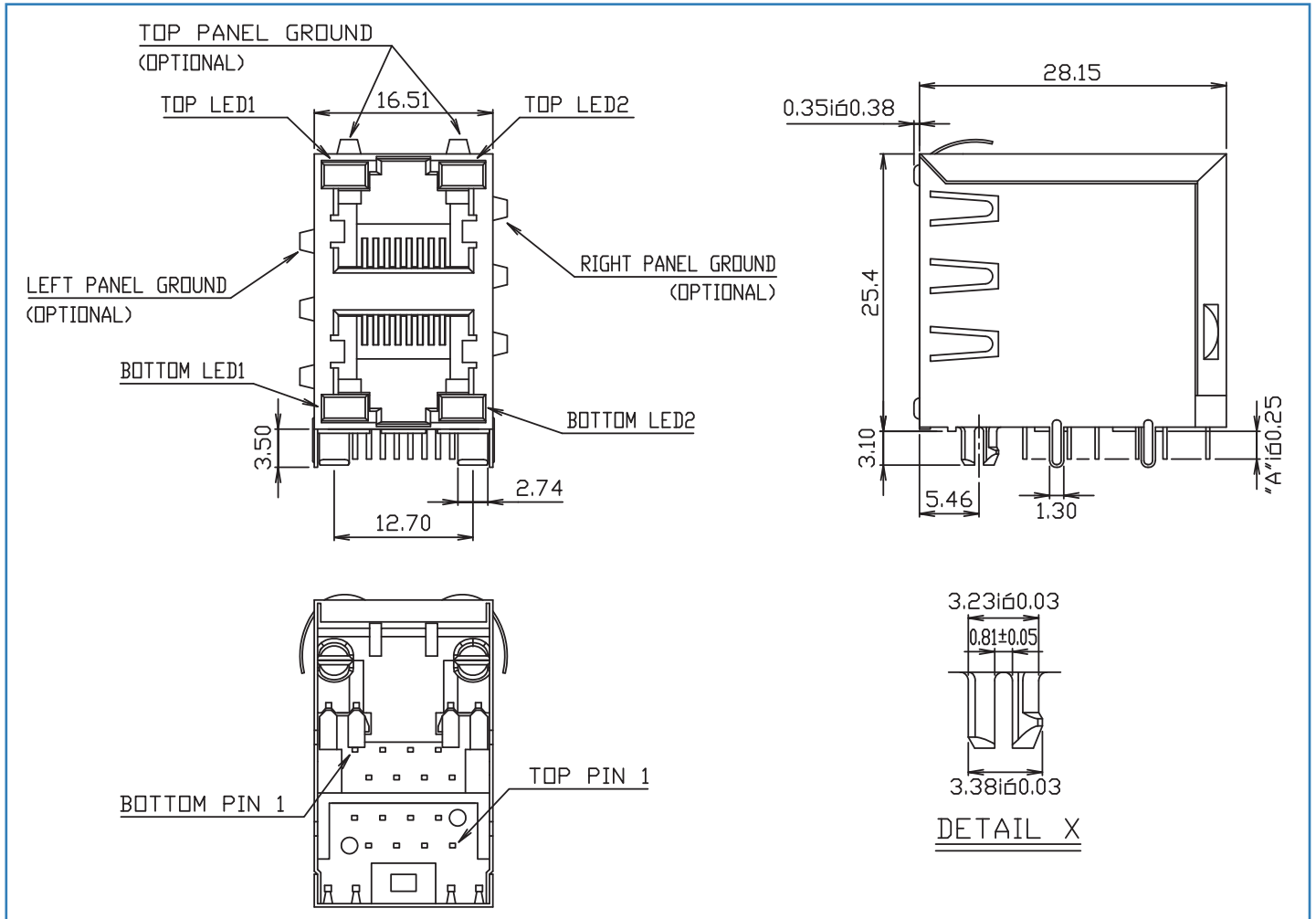
Product Information

- PC board jack RJ45, shielded
- multi port 2x1, side entry, with 8 contacts
- solderable, color metal
- L x W x H: 28.15 x 16.51 x 25.4 mm
- LED, yellow / green

Technical Data

| | |
|---|-----------------|
| Soldering method | THT |
| Rated voltage max. | 150 V |
| Rated Current | 1 A |
| Contact resistance | 50 mOhms |
| Insulation resistance | 500 MOhms |
| Dielectrical Withstanding Voltage between contacts | 1000 Vrms |
| between contacts and shield | 1500 Vrms |
| Contact material | CuSn |
| Contact surface | Gold flash 6 μ" |
| Shield material | copper alloy |
| Shield surface | Ni |
| Mating force max. | 22.55 N |
| Durability plug cycles | <= 750 |
| Insulation material | PBT, UL94V-0 |
| Insulation color | black |
| Operating Temperature | -40 °C to 85 °C |
| Type of protection | IP20 |
| LED 1 / LED 2 | yellow / green |

Dimensions



PCB layout

