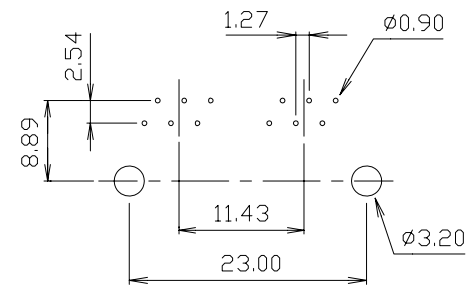
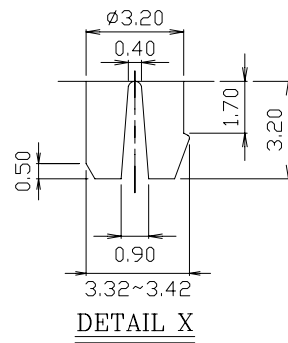
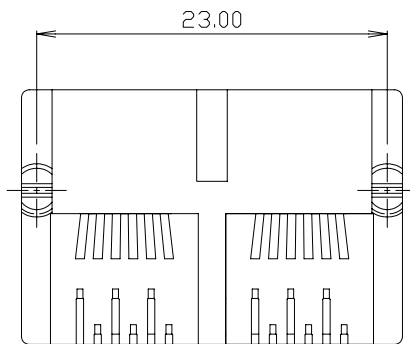


MATERIALS:

- HOUSING-NYLON FR-50 UL94V-0 MIXED GLASS FIBER. STANDARD COLOR-BLACK
- CONTACTS -0.45mm DIM. PHOS-BRONZE PLATED WITH HARD GOLD.

CAVITY CONFIRMS TO FCC RULES AND REGULATIONS PART 68,SUBPART F.



PC Board Layout Ref.

Ordering Information

| | | | | |
|--------|-----------|---------------------|-------|--------------------------------|
| AJT46C | 6 | X | 1 | X |
| Type | Positions | Contacts 2, 4, 6 | Ports | Plating 1 = 6u" 3 = 30u" |

| |
|--|
| Tolerance unless otherwise specified mm .0 ± .25 .00 ± .13 .000 ± .05 |
|--|

| | |
|---|------------------------------|
| METZ CONNECT | P/N: AJT46C6X1X |
| Desc.: Side entry, unshielded, thru hole modular jack | |
| Date: 2-16-10 | Drawn By: Donna Mears |
| Dimensions in mm | Verified By: Mike Balekdjian |