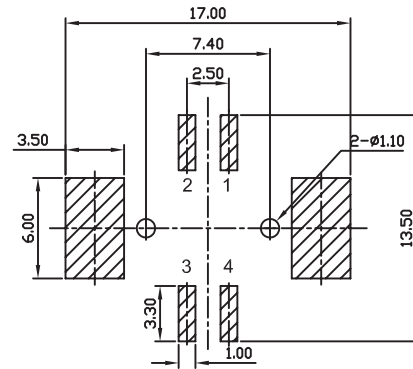
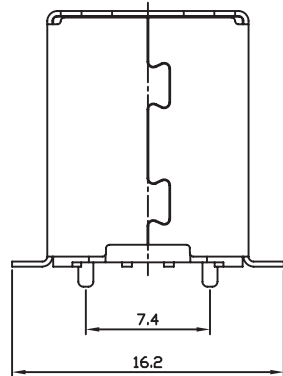
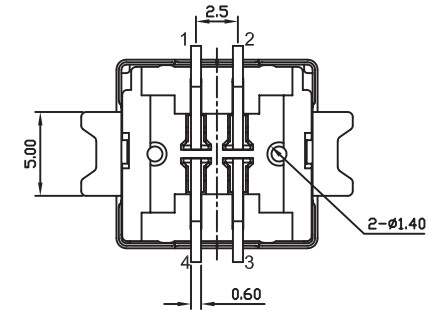
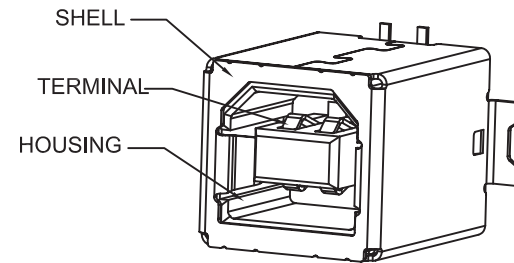


NO.	NAME	MATERIAL	FINISH
1	HOUSING	High-Thermoplastic	
2	TERMINAL	Copper Alloy	Gold-Tin Plated
3	SHELL	Copper Alloy	Ni Plated



RECOMMENDED PCB LAYOUT
 TOP VIEW
 TOLERANCE: ±0.05mm
 PCB THICKNESS: 1.60 ± 0.05mm



Product Key

AJS2AG	4	4	1	X	0	1	0	0
Type	Positions	Contacts	Ports	Plating	Insert			
				1=6u" 3=30u"	1=Black			

Tolerance unless otherwise specified mm .0 ± .25 .00 ± .15 .000 ± .075



P/N: AJS2AG441X-0100

Desc.: USB, Type B, receptacle, vertical, single, SMT

Date: 9-25-15
 Dimensions in mm