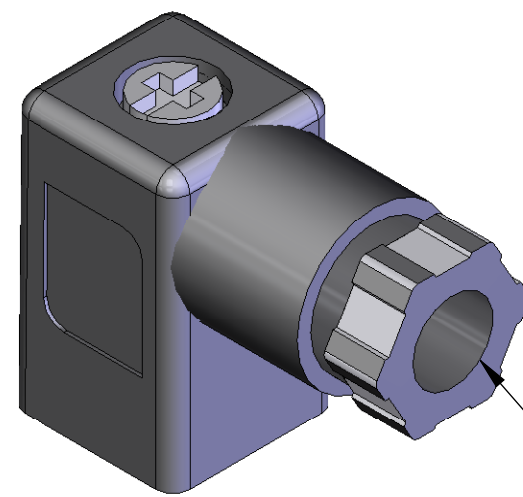
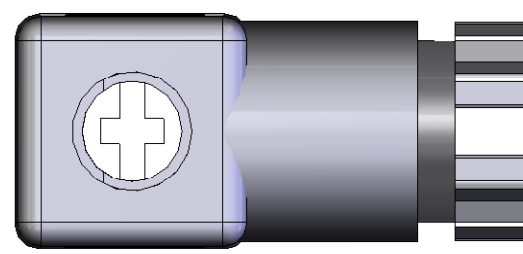
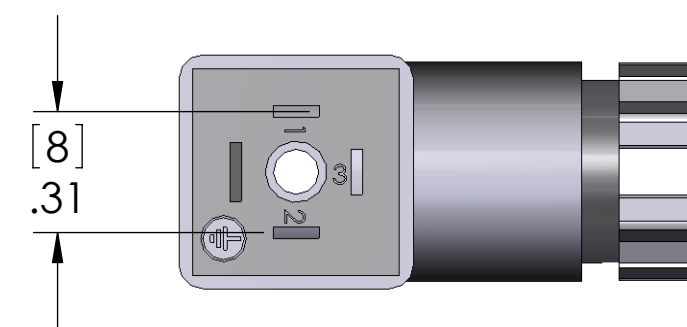
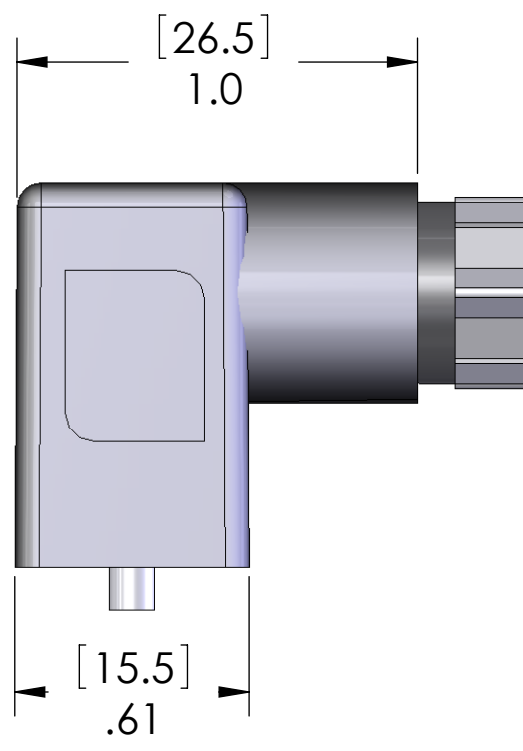
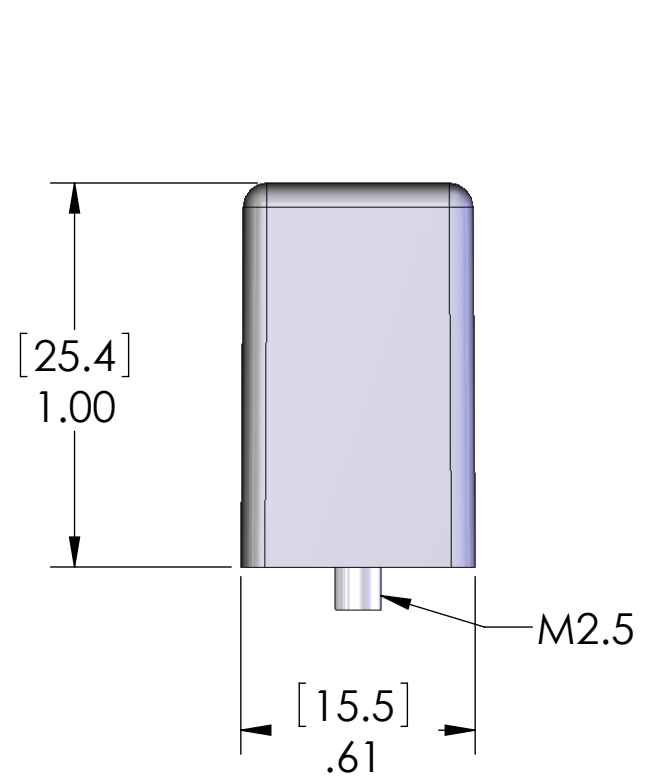


REVISIONS			
REV.	DESCRIPTION	DATE	APPROVED
A	REDRAWN IN SW	3/17/2009	



4 - 6mm cable range



GASKET IS INCLUDED BUT NOT SHOWN ON DRAWING FOR CLARITY

RATINGS:	
VOLTAGE:	250 VAC/VDC
AMPERAGE:	6A MAX
WIRE AWG:	18AWG MAX
CABLE DIA.:	n/a
TEMPERATURE:	-40°C / +125°C
MATERIALS:	
COLOR:	BLACK
BODY:	POLYAMIDE, GF
CONTACT:	COPPER ALLOY SILVER PLATED
GASKET:	THERMOPLASTIC
SCREW:	STEEL ZINC PLATE
PROTECTION:	IP65

PROPRIETARY AND CONFIDENTIAL
 THE INFORMATION CONTAINED IN THIS DRAWING IS THE SOLE PROPERTY OF MENCOM CORPORATION. ANY REPRODUCTION IN PART OR AS A WHOLE WITHOUT THE WRITTEN PERMISSION OF MENCOM CORPORATION IS PROHIBITED.

UNLESS OTHERWISE SPECIFIED:		NAME
DIMENSIONS ARE IN INCHES AND [MM]		CAM
		DRAWN
		CHECKED
		ENG APPR.
		MFG APPR.
		Q.A.
		COMMENTS:
MATERIAL		
FINISH		
DO NOT SCALE DRAWING		

MENCOM CORPORATION		
TITLE:		
SIZE	DWG. NO.	REV
B	VCN-037-00	A
SCALE: 2:1	WEIGHT:	SHEET 1 OF 1