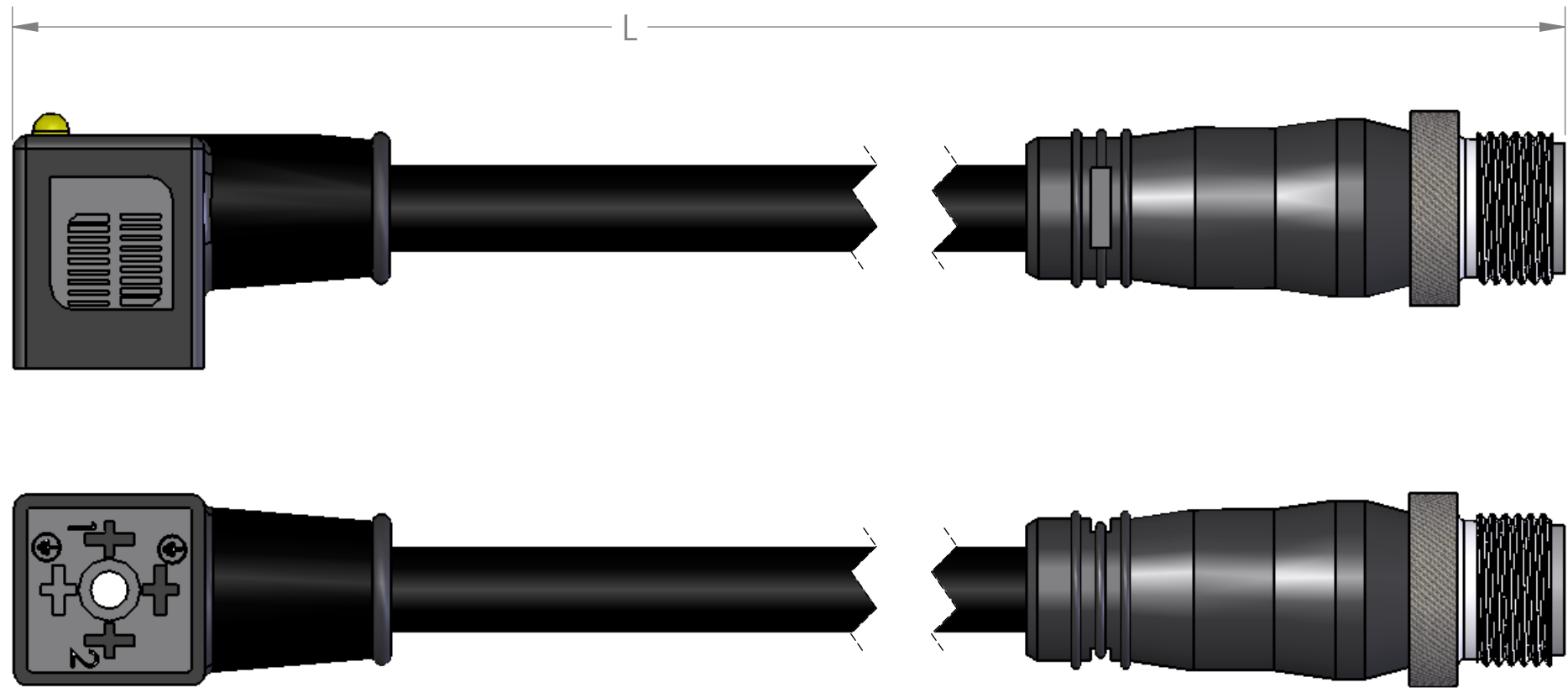


REVISIONS			
REV.	DESCRIPTION	DATE	APPROVED
A	INITIAL RELEASE	3/7/2005	
B	P/N FOR 59" CORRECTED	3/14/2005	



**INDIVIDUALLY BAG
WITH GASKET AND SCREW**

TABLE A			USE
P/N	L	TOL.	CABLE
VCG-D20-3501	12"	1"	VCG-220-00
VCG-F20-3501	19"	1"	VCG-220-00
VCG-120-3501	40"	1"	VCG-220-00
VCG-H20-3501	59"	1"	VCG-220-00
VCG-220-3501	79"	2"	VCG-220-00
VCG-320-3501	118"	2"	VCG-520-00
VCG-420-3501	157"	2"	VCG-520-00
VCG-520-3501	197"	2"	VCG-520-00
VCG-620-3501	236"	3"	VCG-A20-00
VCG-820-3501	315"	4"	VCG-A20-00
VCG-A20-3501	393"	4"	VCG-A20-00

VEG	COLOR	MDC
PIN #		PIN #
1	BROWN	4
2	BLUE	3
GND	GRN/YEL	5

PROPRIETARY AND CONFIDENTIAL
THE INFORMATION CONTAINED IN THIS DRAWING IS THE SOLE PROPERTY OF MENCOM CORPORATION. ANY REPRODUCTION IN PART OR AS A WHOLE WITHOUT THE WRITTEN PERMISSION OF MENCOM CORPORATION IS PROHIBITED.

VOLTS	24V
AMPS	4A
UL?:	NO
SPECIFICATIONS	

UNLESS OTHERWISE SPECIFIED:
DIMENSIONS ARE IN INCHES
TOLERANCES:
FRACTIONAL ± 1/64
ANGULAR: MACH ± 5° BEND ± 5°
ZERO PLACE DECIMAL ± .5
ONE PLACE DECIMAL ± .1
TWO PLACE DECIMAL ± .01
THREE PLACE DECIMAL ± .004

MATERIAL
FINISH
DO NOT SCALE DRAWING

	NAME
DRAWN	BEM
CHECKED	
ENG APPR.	
MFG APPR.	
Q.A.	
COMMENTS:	

MENCOM CORPORATION		
TITLE:		
SIZE	DWG. NO.	REV
B	VCG-ZZ20-3501	B
SCALE: 2:1	WEIGHT:	SHEET 1 OF 1