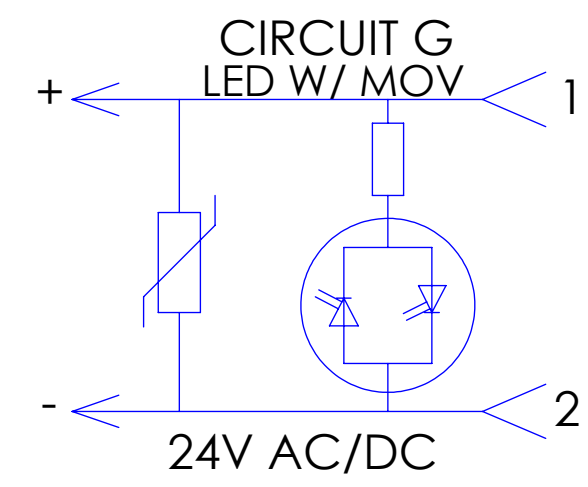
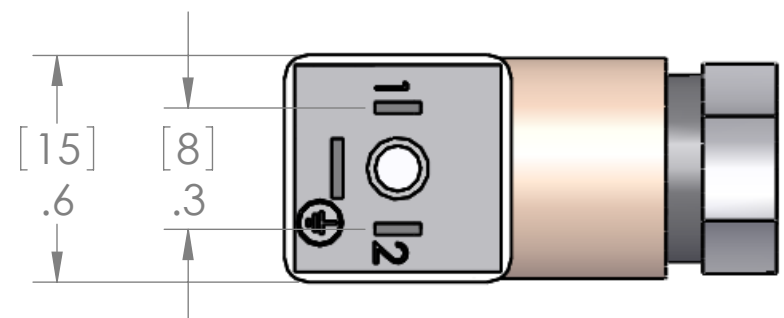
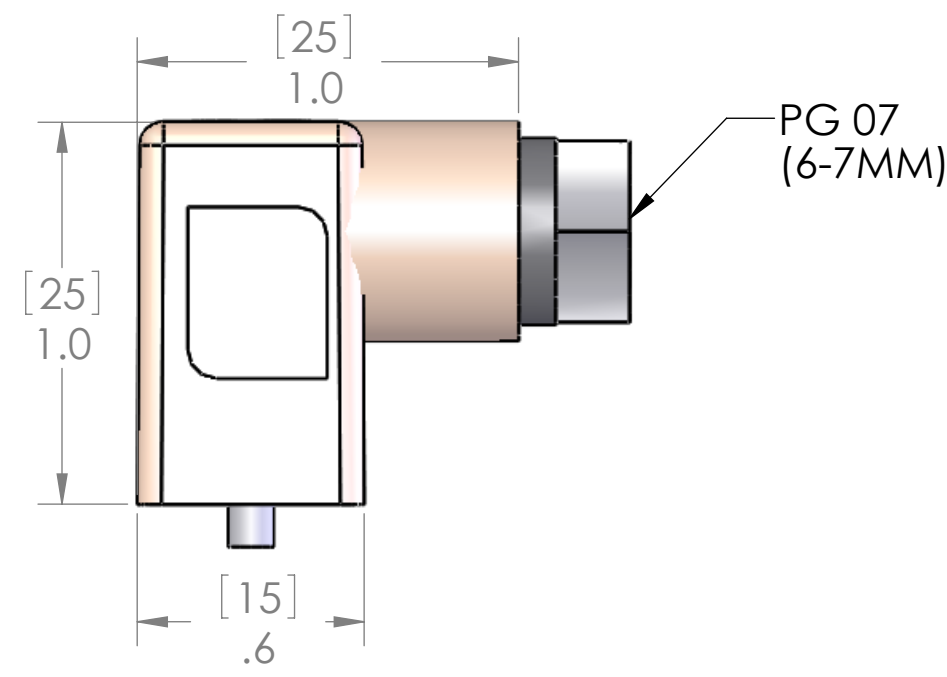


REVISIONS			
REV.	DESCRIPTION	DATE	APPROVED
A	REDRAWN IN SW	8/17/2009	
B	ADDED MATERIALS	3/21/2014	JJH



MATERIALS:	
BODY:	POLYAMIDE
CONTACT:	COPPER ALLOY SILVER PLATED
INSERT:	POLYAMIDE
GASKET:	THERMOPLASTIC
SCREW:	STEEL ZINC PLATE
TEMP:	-40°C TO +80°C
PROTECTION:	IP65

PROPRIETARY AND CONFIDENTIAL
 THE INFORMATION CONTAINED IN THIS DRAWING IS THE SOLE PROPERTY OF MENCOM CORPORATION. ANY REPRODUCTION IN PART OR AS A WHOLE WITHOUT THE WRITTEN PERMISSION OF MENCOM CORPORATION IS PROHIBITED.

UNLESS OTHERWISE SPECIFIED:	
DIMENSIONS ARE IN INCHES & [MM]	
MATERIAL	
FINISH	
DO NOT SCALE DRAWING	

NAME	MENCOM CORPORATION	
BEM	TITLE:	
DRAWN	DIN C W/O ELECT PG 7 CLR 2+E	
CHECKED		
ENG APPR.		
MFG APPR.		
Q.A.		
COMMENTS:		
SIZE	DWG. NO.	REV
B	VCG-027-00	B
SCALE: 2:1	WEIGHT:	SHEET 1 OF 1