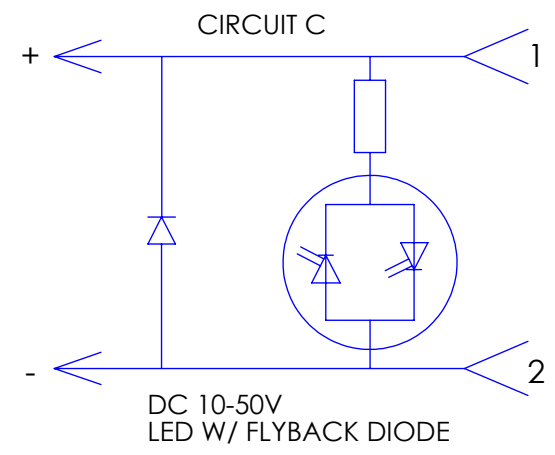
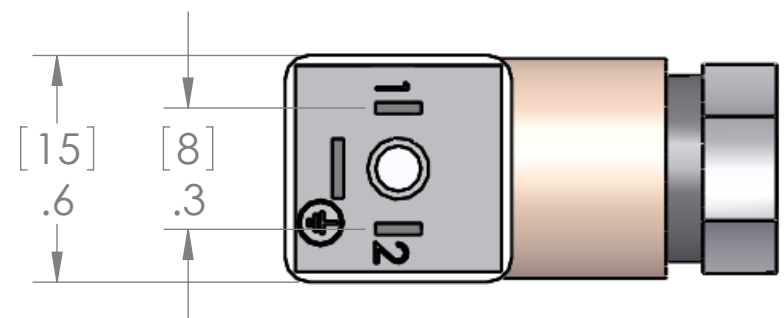
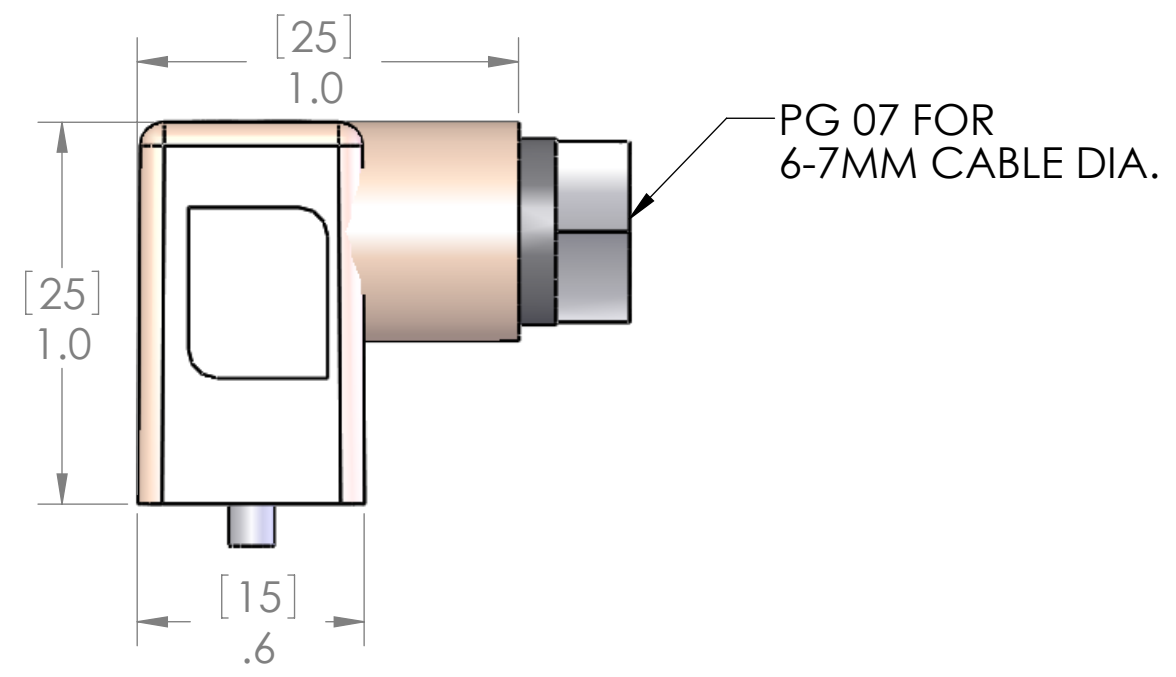


REVISIONS			
REV.	DESCRIPTION	DATE	APPROVED
A	REDRAWN IN SW	8/17/2009	



NOTE: GASKET AND SCREW INCLUDED WITH PART BUT NOT SHOWN ON PRINT FOR CLARITY

MATERIALS:	
BODY:	TRANSLUCENT POLYAMIDE
CONTACT:	COPPER ALLOY SILVER PLATED
GASKET:	THERMOPLASTIC
SCREW:	STEEL ZINC PLATE
TEMP:	-40°C TO +125°C
PROTECTION:	IP65

PROPRIETARY AND CONFIDENTIAL
 THE INFORMATION CONTAINED IN THIS DRAWING IS THE SOLE PROPERTY OF MENCOM CORPORATION. ANY REPRODUCTION IN PART OR AS A WHOLE WITHOUT THE WRITTEN PERMISSION OF MENCOM CORPORATION IS PROHIBITED.

UNLESS OTHERWISE SPECIFIED:		NAME
DIMENSIONS ARE IN INCHES & [MM]		BEM
		DRAWN
		CHECKED
		ENG APPR.
		MFG APPR.
		Q.A.
		COMMENTS:
MATERIAL		
FINISH		
DO NOT SCALE DRAWING		

MENCOM CORPORATION		
TITLE:		
DIN C W/LED & DIODE PG 7 CLR 2+E		
SIZE	DWG. NO.	REV
B	VCC-027-00	A
SCALE: 2:1	WEIGHT:	SHEET 1 OF 1