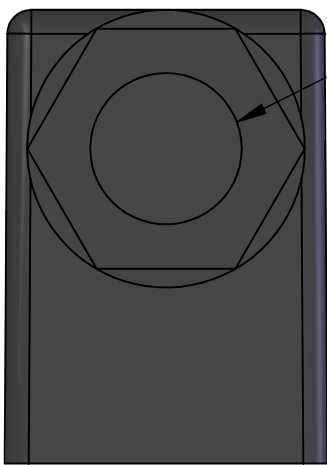
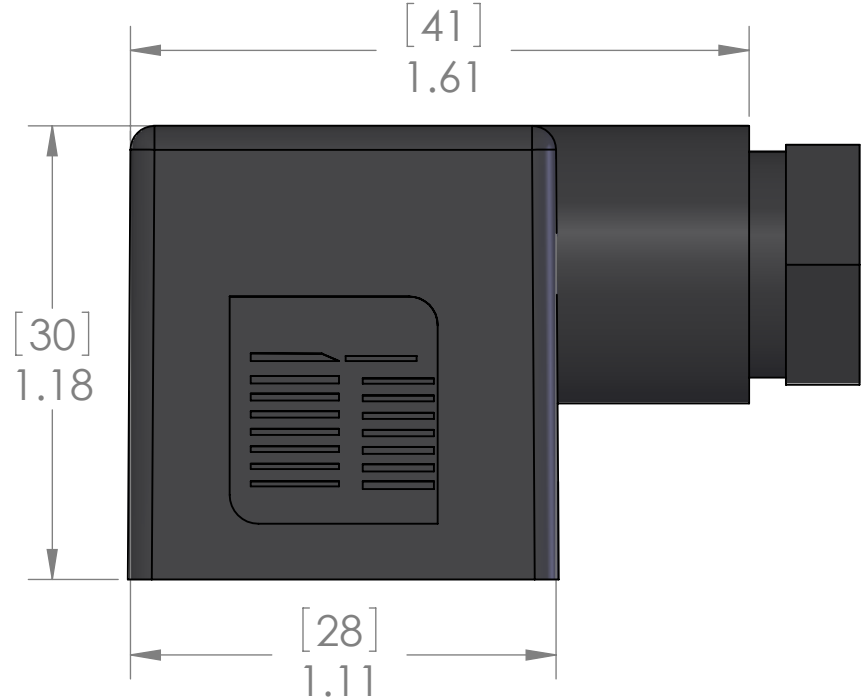
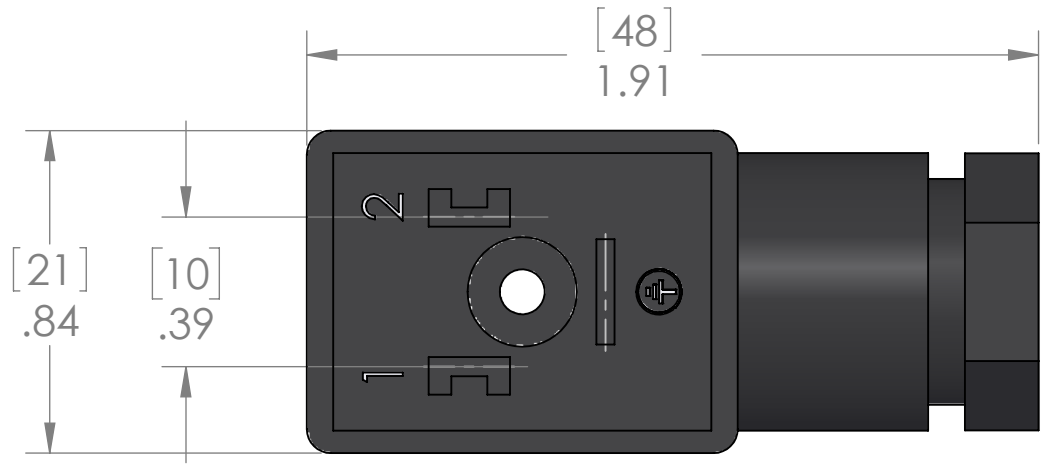


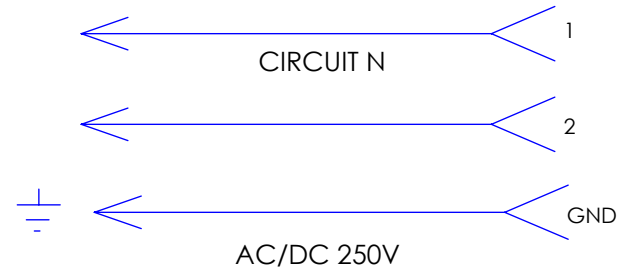
REVISIONS			
REV.	DESCRIPTION	DATE	APPROVED
A	REDRAWN IN SW	4/1/2009	



PG9
6-8 MM CABLES



GASKET AND SCREW INCLUDED,
NOT SHOWN FOR CLARITY.



RATINGS:	
VOLTAGE:	250 VAC/VDC
AMPERAGE:	10A MAX
WIRE AWG:	16AWG MAX
TEMPERATURE:	-40°C / +80°C

MATERIALS:	
COLOR:	BLACK
BODY:	POLYAMIDE
CONTACT:	COPPER ALLOY SILVER PLATED
GASKET:	THERMOPLASTIC
SCREW:	STEEL ZINC PLATE
PROTECTION:	IP65

PROPRIETARY AND CONFIDENTIAL
THE INFORMATION CONTAINED IN THIS DRAWING IS THE SOLE PROPERTY OF MENCOM CORPORATION. ANY REPRODUCTION IN PART OR AS A WHOLE WITHOUT THE WRITTEN PERMISSION OF MENCOM CORPORATION IS PROHIBITED.

UNLESS OTHERWISE SPECIFIED:	DRAWN BY	DCG
DIMENSIONS ARE IN INCHES AND [MM]	DRAWN DATE	09/22/2016
	CHECKED BY	
	CHECK DATE	
	COMMENTS:	
MATERIAL		
FINISH		
DO NOT SCALE DRAWING		

MENCOM CORPORATION		
TITLE:		
SIZE	DWG. NO.	REV
B	VBN-029-00	A
SCALE: 2:1	WEIGHT:	SHEET 1 OF 1