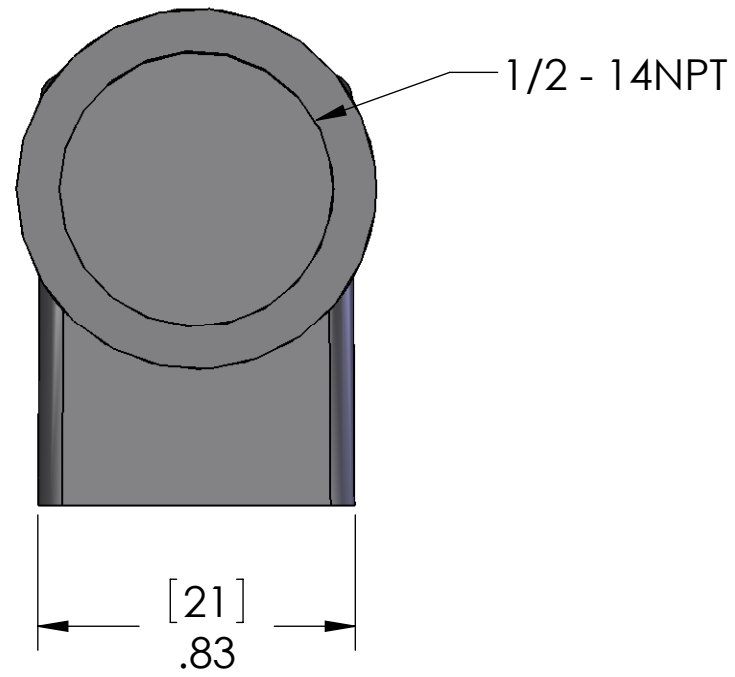
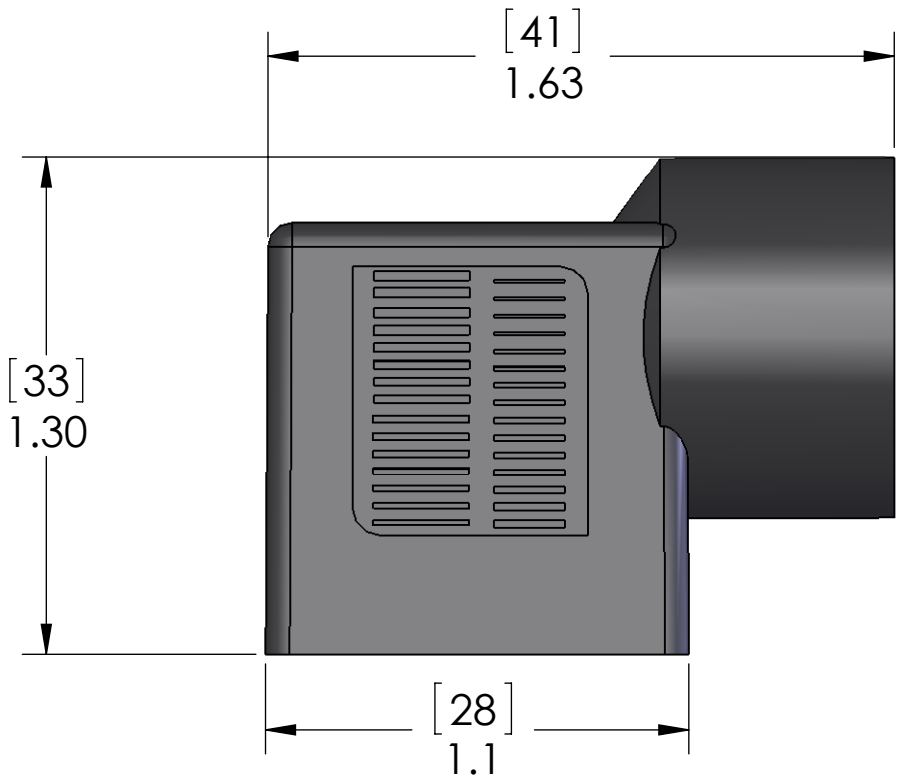
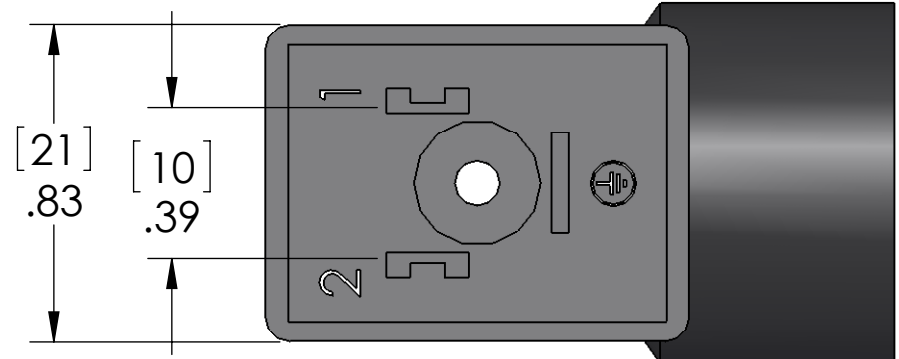


8 7 6 5 4 3 2 1

REVISIONS			
REV.	DESCRIPTION	DATE	APPROVED
A	REDRAWN IN SW	10/27/2008	BEM

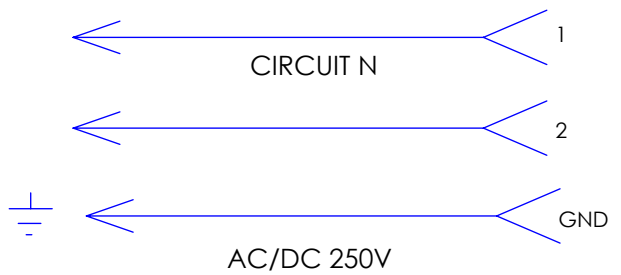


GASKET AND SCREW INCLUDED,  
NOT SHOWN FOR CLARITY.



RATINGS:	
VOLTAGE:	250 VAC/VDC
AMPERAGE:	10A MAX
WIRE AWG:	16AWG MAX
CABLE DIA.:	n/a
TEMPERATURE:	-40°C / +80°C

MATERIALS:	
COLOR:	BLACK
BODY:	POLYAMIDE
CONTACT:	COPPER ALLOY SILVER PLATED
GASKET:	THERMOPLASTIC
SCREW:	STEEL ZINC PLATE
PROTECTION:	IP65



**PROPRIETARY AND CONFIDENTIAL**  
THE INFORMATION CONTAINED IN THIS DRAWING IS THE SOLE PROPERTY OF MENCOM CORPORATION. ANY REPRODUCTION IN PART OR AS A WHOLE WITHOUT THE WRITTEN PERMISSION OF MENCOM CORPORATION IS PROHIBITED.

UNLESS OTHERWISE SPECIFIED:  
DIMENSIONS ARE IN INCHES & [MM]

MATERIAL

FINISH

DO NOT SCALE DRAWING

NAME	
DRAWN	CAM
CHECKED	
ENG APPR.	
MFG APPR.	
Q.A.	
COMMENTS:	

MENCOM CORPORATION		
TITLE:		
SIZE	DWG. NO.	REV
<b>B</b>	VBN-022-00	<b>A</b>
SCALE: 2:1	WEIGHT:	SHEET 1 OF 1

8 7 6 5 4 3 2 1