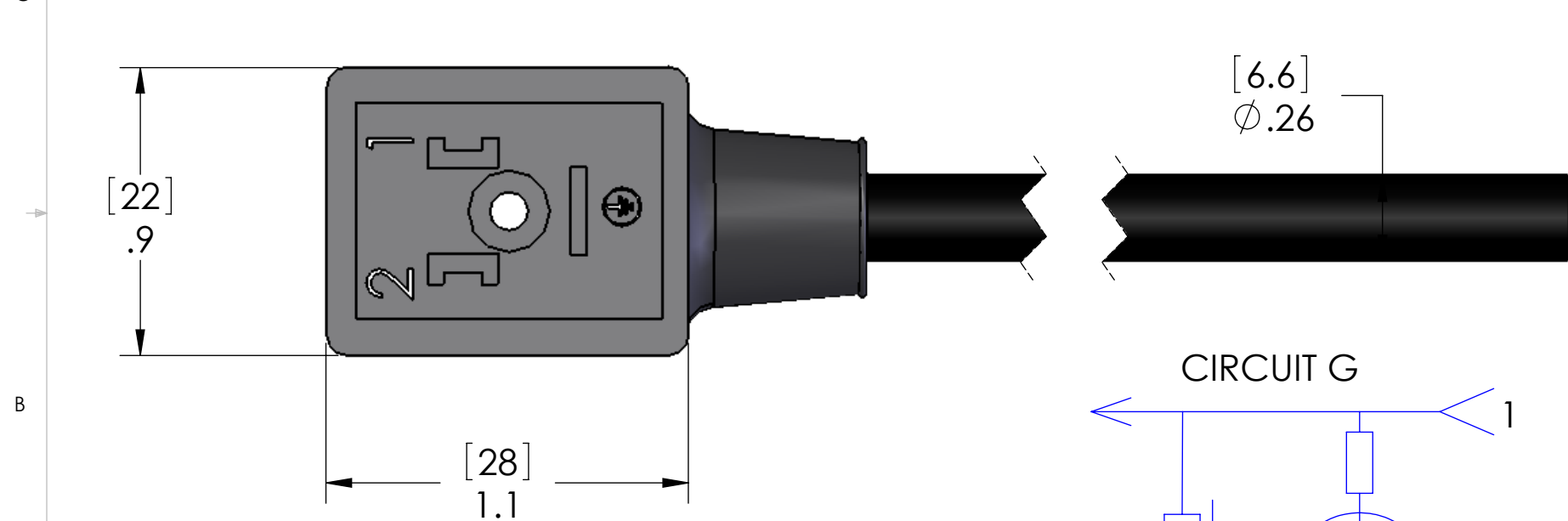
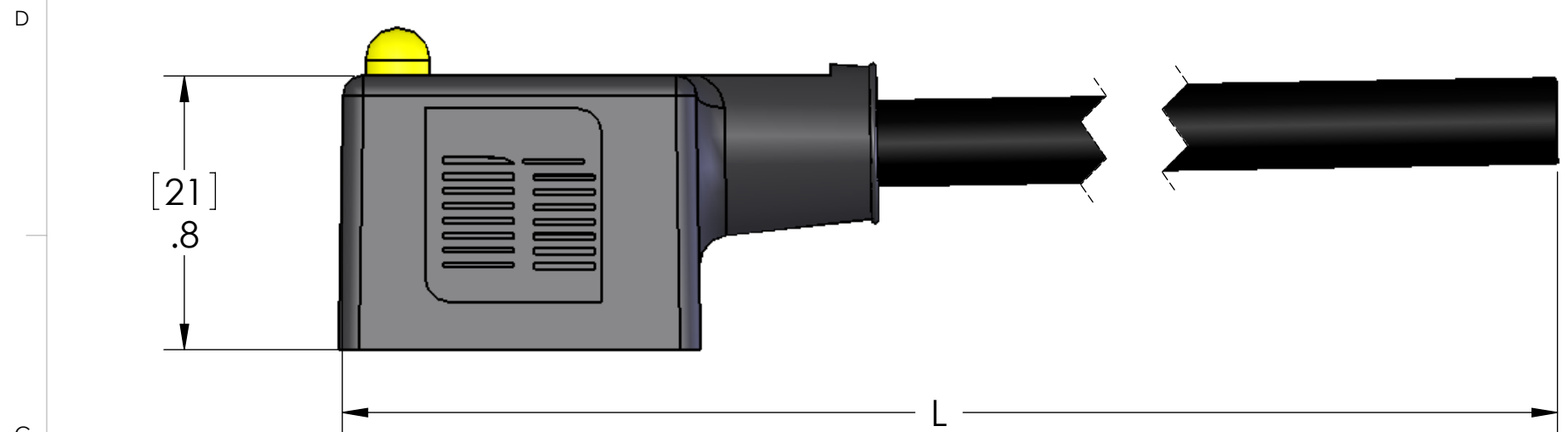
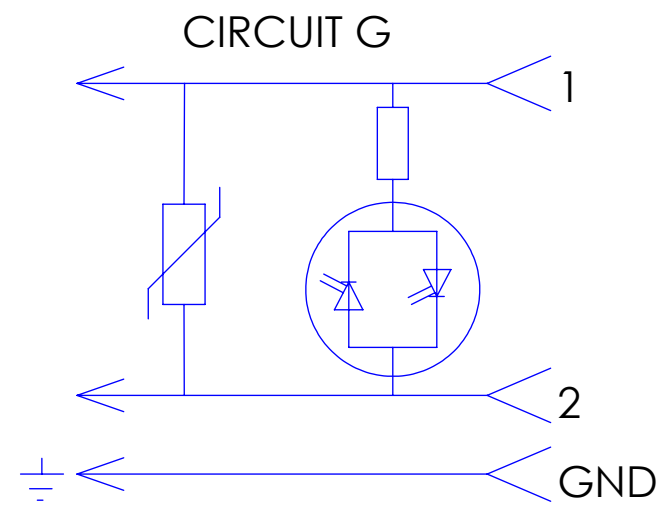


WIRING	
1	BRN
2	BLUE
GND	GRN/YEL

REVISIONS			
REV.	DESCRIPTION	DATE	APPROVED
A	DRAWN IN SW	8/28/13	



GASKET MAY BE INTEGRAL, SCREW INCLUDED, BUT NOT SHOWN FOR CLARITY



LED W/ MOV  
24V AC/DC

P/N	L	STD?
VBG-120-00	40"	NO
VBG-220-00	79"	YES
VBG-320-00	118"	NO
VBG-420-00	157"	NO
VBG-520-00	197"	YES
VBG-620-00	236"	NO
VBG-820-00	315"	NO
VBG-A20-00	393"	YES

PARTS LISTED AS NOT BEING STANDARD MAY REQUIRE MINIMUM ORDERS

MATERIALS	
CABLE:	BLACK PVC
INSERT:	POLYAMIDE
BODY:	BLACK POLYAMIDE
CONTACT:	COPPER ALLOY W/ SILVER PLATING
GASKET:	THERMOPLASTIC
SCREW:	STEEL ZINC PLATE
TEMP:	-40°C TO 80°C
SEAL:	IP 65

**PROPRIETARY AND CONFIDENTIAL**  
THE INFORMATION CONTAINED IN THIS DRAWING IS THE SOLE PROPERTY OF MENCOM CORPORATION. ANY REPRODUCTION IN PART OR AS A WHOLE WITHOUT THE WRITTEN PERMISSION OF MENCOM CORPORATION IS PROHIBITED.

UNLESS OTHERWISE SPECIFIED:	NAME	MENCOM CORPORATION
DIMENSIONS ARE IN INCHES & [MM]	DCT	
MATERIAL	COMMENTS:	TITLE: DIN FORM B CABLE
FINISH		SIZE <b>B</b> DWG. NO. VBG-ZZ20-00 REV <b>A</b>
DO NOT SCALE DRAWING		SCALE: 2:1 WEIGHT: SHEET 1 OF 1