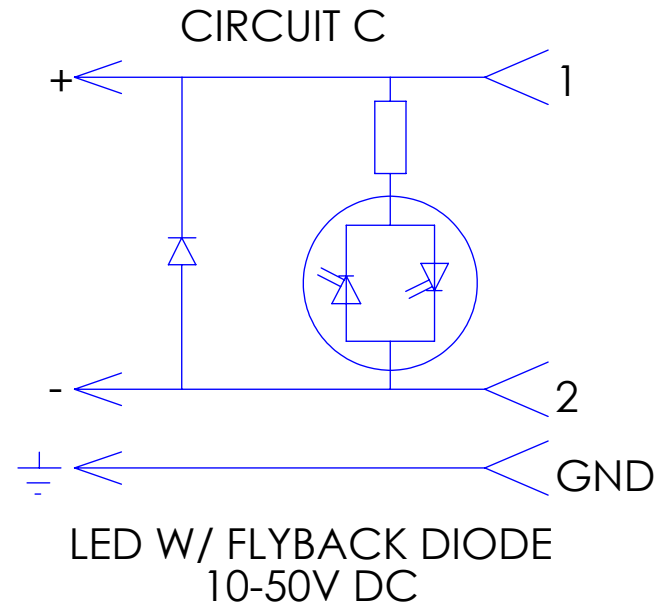
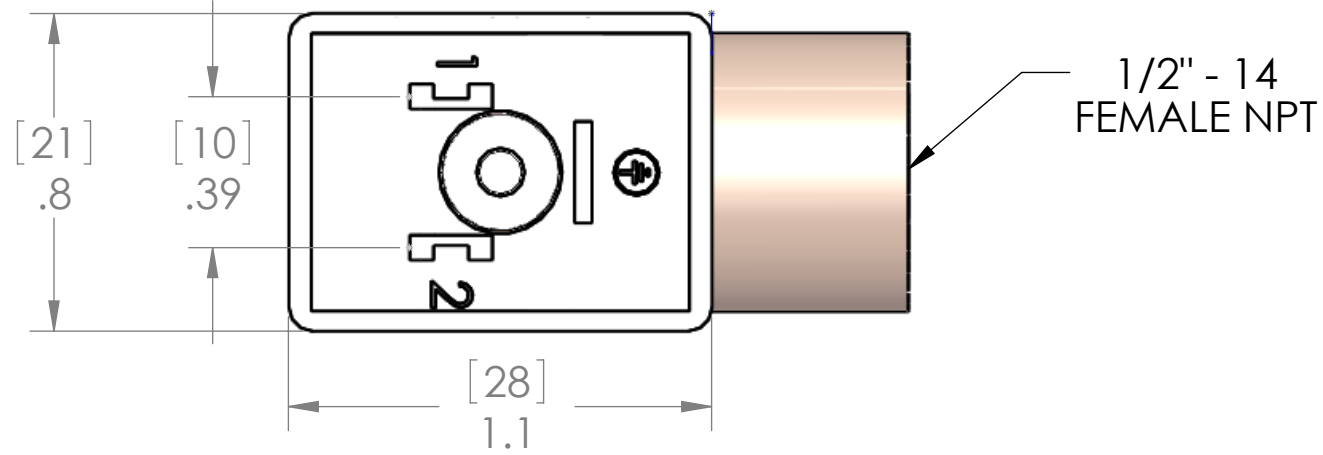
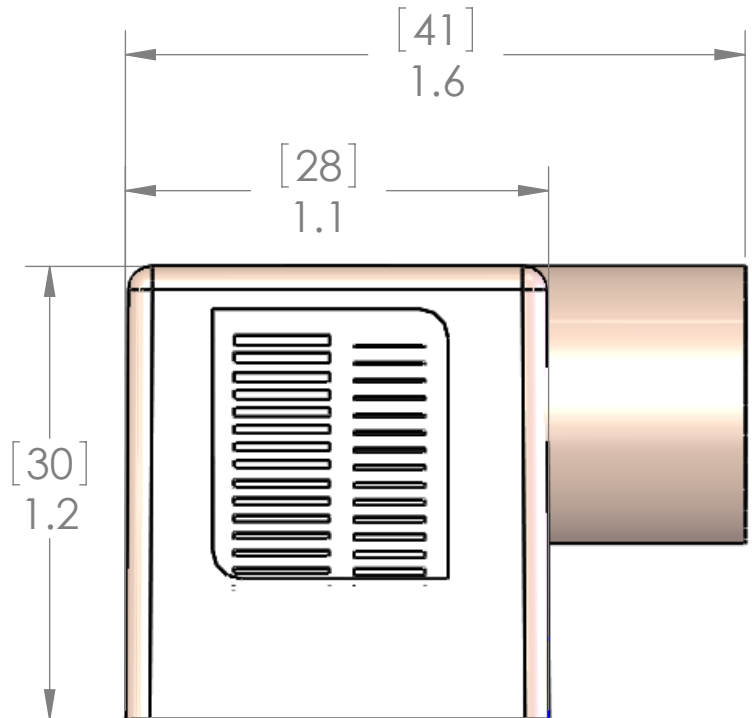


REVISIONS			
REV.	DESCRIPTION	DATE	APPROVED
A	INITIAL RELEASE IN SW	1/19/2011	



MATERIALS:	
BODY:	POLYAMIDE
CONTACT:	COPPER ALLOY SILVER PLATED
INSERT:	POLYAMIDE
GASKET:	THERMOPLASTIC
SCREW:	STEEL ZINC PLATE
TEMP:	-40°C TO +80°C
PROTECTION:	IP65

PROPRIETARY AND CONFIDENTIAL
 THE INFORMATION CONTAINED IN THIS DRAWING IS THE SOLE PROPERTY OF MENCOM CORPORATION. ANY REPRODUCTION IN PART OR AS A WHOLE WITHOUT THE WRITTEN PERMISSION OF MENCOM CORPORATION IS PROHIBITED.

UNLESS OTHERWISE SPECIFIED:	
DIMENSIONS ARE IN INCHES & [MM]	
MATERIAL	
FINISH	
DO NOT SCALE DRAWING	

NAME		MENCOM CORPORATION	
DRAWN	CAM	TITLE:	
CHECKED		DIN B 10/50V LED FBD 1/2N	
ENG APPR.		SIZE	DWG. NO.
MFG APPR.		B	VBC-022-00
Q.A.		REV	A
COMMENTS:		SCALE: 2:1	WEIGHT:
		SHEET 1 OF 1	