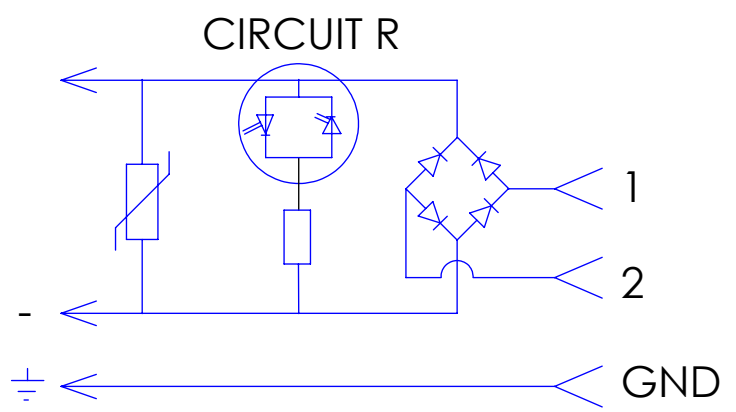
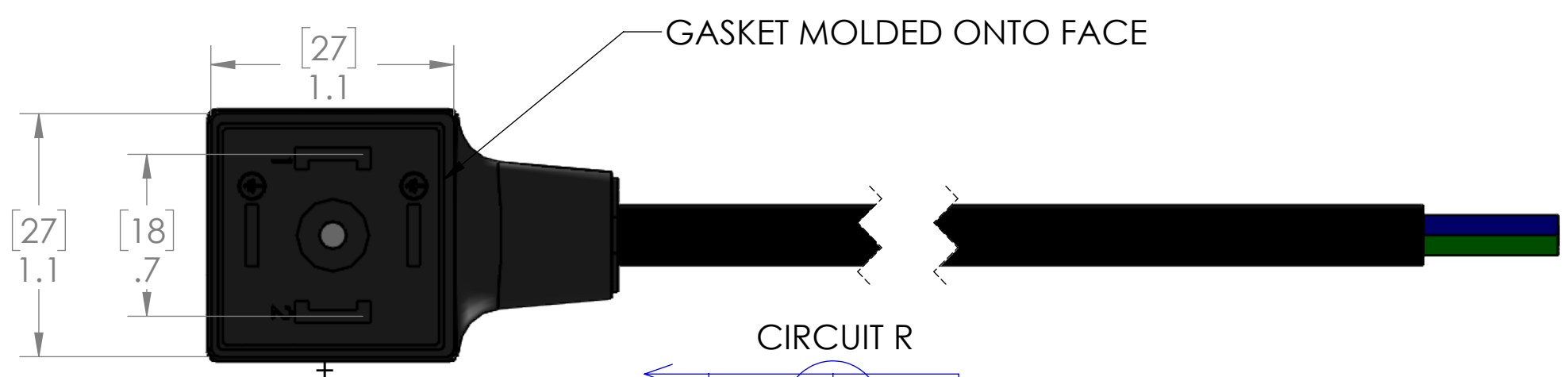
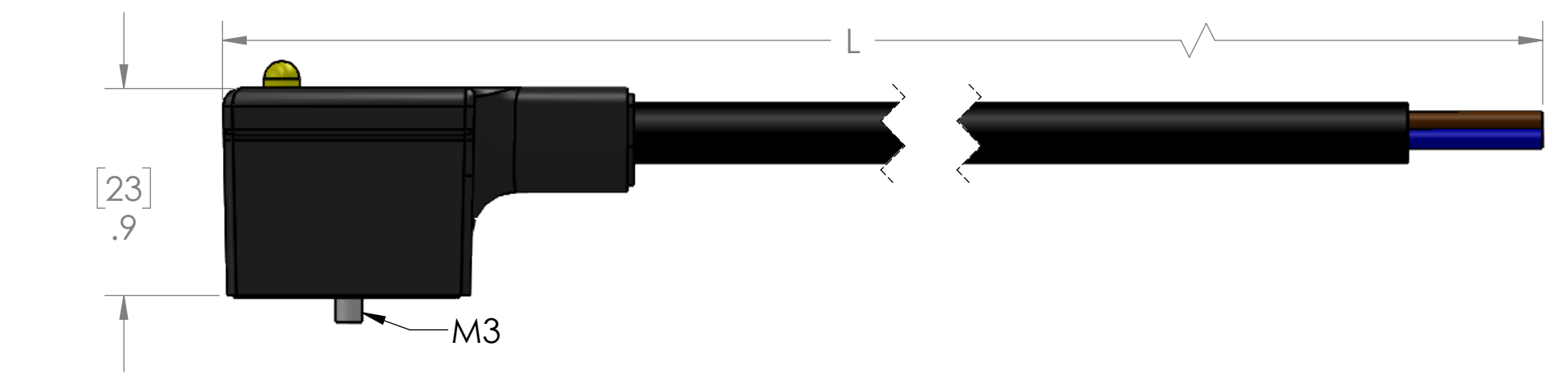


PIN #	COLOR
1	BROWN
2	BLUE
GND	GREEN / YELLOW

REVISIONS			
REV.	DESCRIPTION	DATE	APPROVED
A	REDRAWN IN SW	3/18/2014	JJH



LED W/ MOV & BRD RECT

TABLE A		
P/N	L	STD?
VAR-120-00	39" [1M]	NO
VAR-220-00	79" [2M]	YES
VAR-320-00	118" [3M]	NO
VAR-420-00	157" [4M]	NO
VAR-520-00	197" [5M]	YES
VAR-620-00	236" [6M]	NO
VAR-A20-00	393" [10M]	YES

PARTS LISTED AS NOT BEING STANDARD MAY REQUIRE MINIMUM ORDERS

MATERIALS	
BODY:	TPE
CONTACTS:	SILVER PLATED COPPER ALLOY
CABLE:	BLACK 18/3 OIL RESISTANT
SCREW:	ZINC PLATED STEEL

**PROPRIETARY AND CONFIDENTIAL**  
 THE INFORMATION CONTAINED IN THIS DRAWING IS THE SOLE PROPERTY OF MENCOM CORPORATION. ANY REPRODUCTION IN PART OR AS A WHOLE WITHOUT THE WRITTEN PERMISSION OF MENCOM CORPORATION IS PROHIBITED.

VOLTS	250V
AMPS	10A
TEMP:	90°C

UNLESS OTHERWISE SPECIFIED:	DRAWN BY	ADM
DIMENSIONS ARE IN INCHES AND [MM]	DRAWN DATE	09/22/2016
	CHECKED BY	
	CHECK DATE	
	COMMENTS:	
MATERIAL		
FINISH		
DO NOT SCALE DRAWING		

MENCOM CORPORATION		
TITLE: DIN A LED W/BRD RECT & MOV		
SIZE	DWG. NO.	REV
<b>B</b>	VAR-ZZ20-00	<b>A</b>
SCALE: 3:2	WEIGHT:	SHEET 1 OF 1