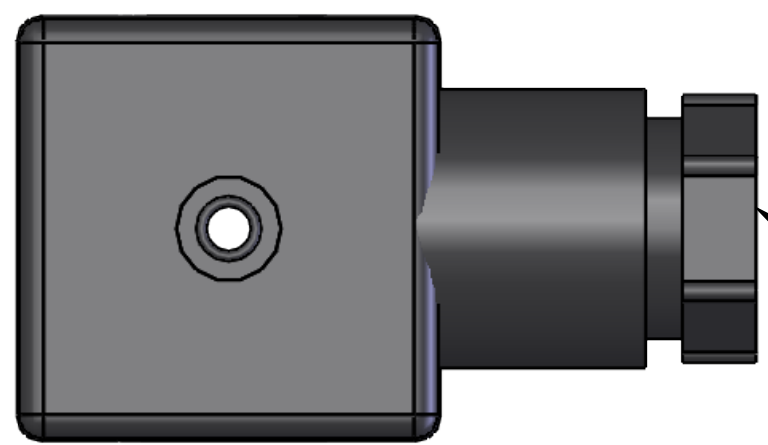
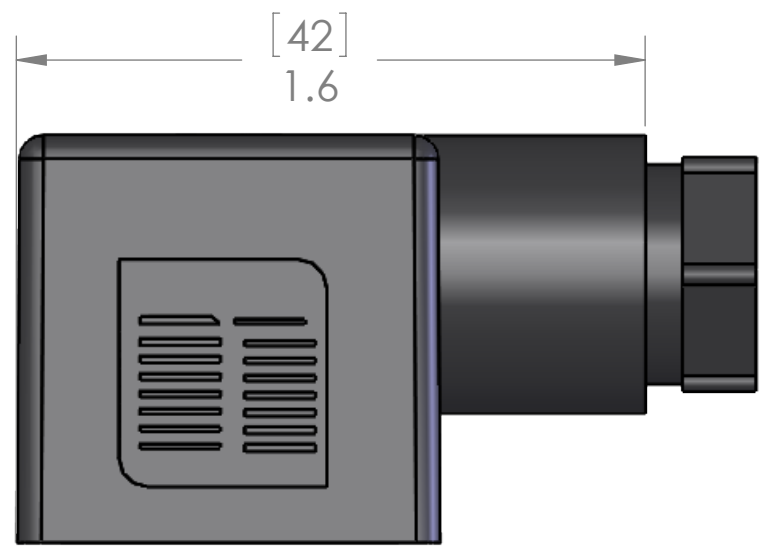
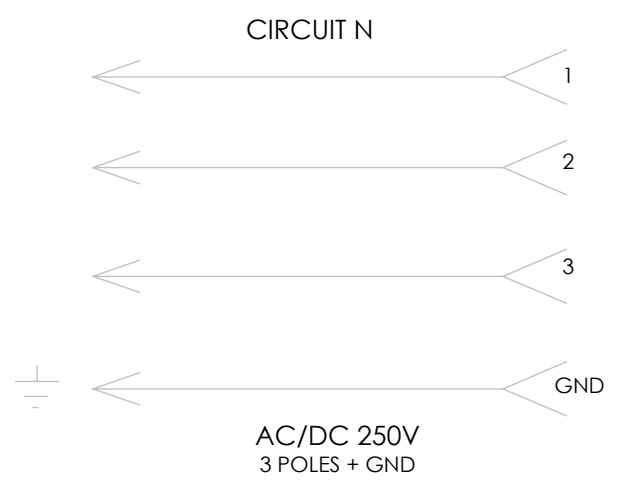


8 7 6 5 4 3 2 1

REVISIONS			
REV.	DESCRIPTION	DATE	APPROVED
A	REDRAWIN IN SW	5/12/2015	



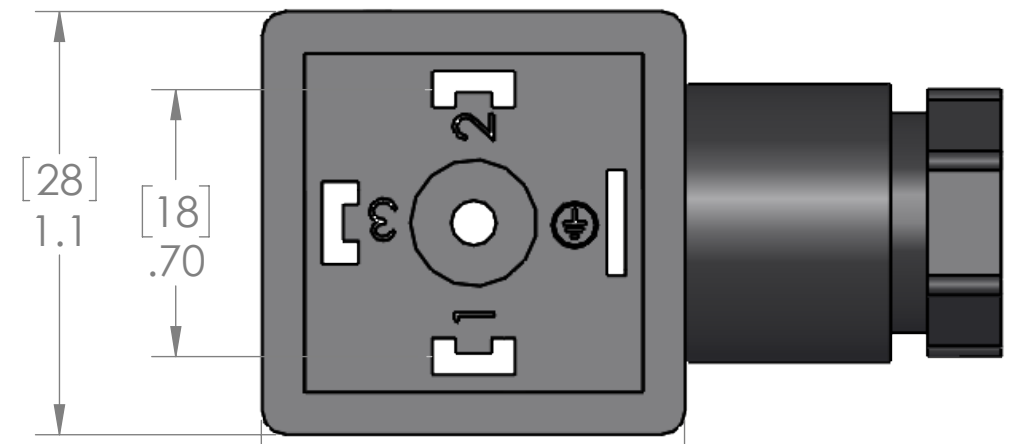
PG9 - FOR 6 TO 8 MM DIA. CABLES



[42]
1.6

MATERIALS:	
COLOR:	BLACK
BODY:	POLYAMIDE
CONTACT:	COPPER ALLOY SILVER PLATED
GASKET:	THERMOPLASTIC
SCREW:	STEEL ZINC PLATE
TEMP:	-40°C TO +125°C
PROTECTION:	IP65

NOTE: FORMED GASKET AND SCREW INCLUDED WITH PART BUT NOT SHOWN ON PRINT FOR CLARITY



[28]
1.1

[18]
.70

[28]
1.1

PROPRIETARY AND CONFIDENTIAL
THE INFORMATION CONTAINED IN THIS DRAWING IS THE SOLE PROPERTY OF MENCOM CORPORATION. ANY REPRODUCTION IN PART OR AS A WHOLE WITHOUT THE WRITTEN PERMISSION OF MENCOM CORPORATION IS PROHIBITED.

UNLESS OTHERWISE SPECIFIED:	DRAWN BY	ADM
DIMENSIONS ARE IN INCHES AND [MM]	DRAWN DATE	05/26/2022
	CHECKED BY	
	CHECK DATE	
	COMMENTS:	
MATERIAL		
FINISH		
DO NOT SCALE DRAWING		

MENCOM CORPORATION		
TITLE:		
SIZE	DWG. NO.	REV
B	VAN-039-50	A
SCALE: 2:1	WEIGHT:	SHEET 1 OF 1

8 7 6 5 4 3 2 1