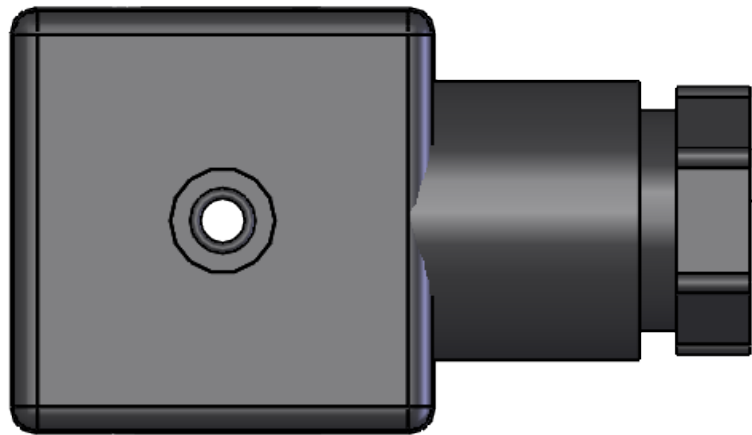
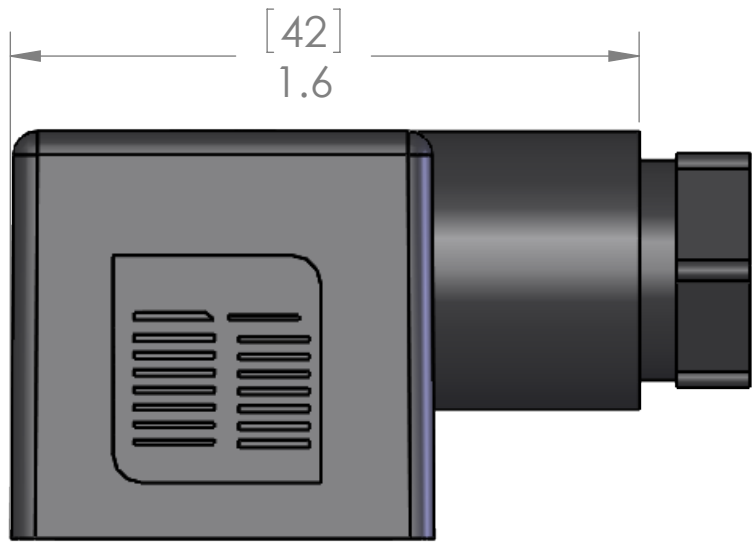
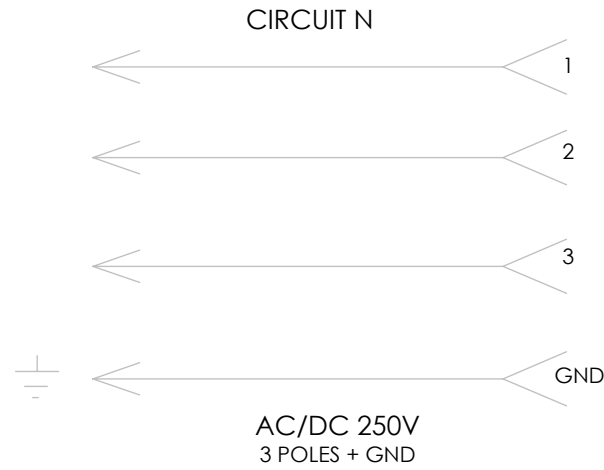


REVISIONS			
REV.	DESCRIPTION	DATE	APPROVED
A	REDRAWIN IN SW	5/12/2015	



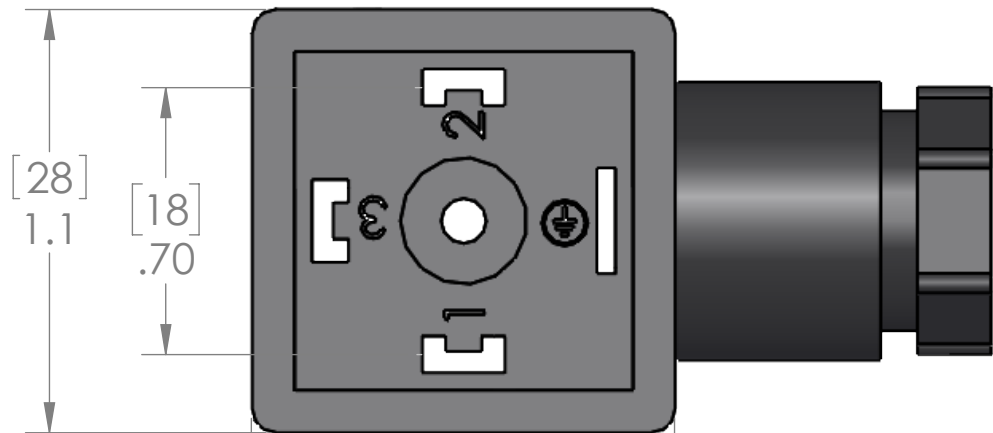
PG9 - FOR 6 TO 8 MM DIA. CABLES



[42]  
1.6

NOTE: FLAT GASKET AND SCREW INCLUDED WITH PART BUT NOT SHOWN ON PRINT FOR CLARITY

MATERIALS:	
COLOR:	BLACK
BODY:	POLYAMIDE
CONTACT:	COPPER ALLOY SILVER PLATED
GASKET:	THERMOPLASTIC
SCREW:	STEEL ZINC PLATE
TEMP:	-40°C TO +125°C
PROTECTION:	IP65



[28]  
1.1

[18]  
.70

[28]  
1.1

**PROPRIETARY AND CONFIDENTIAL**  
THE INFORMATION CONTAINED IN THIS DRAWING IS THE SOLE PROPERTY OF MENCOM CORPORATION. ANY REPRODUCTION IN PART OR AS A WHOLE WITHOUT THE WRITTEN PERMISSION OF MENCOM CORPORATION IS PROHIBITED.

UNLESS OTHERWISE SPECIFIED:	DRAWN BY	ADM
DIMENSIONS ARE IN INCHES AND [MM]	DRAWN DATE	05/26/2022
	CHECKED BY	
	CHECK DATE	
	COMMENTS:	
MATERIAL		
FINISH		
DO NOT SCALE DRAWING		

MENCOM CORPORATION		
TITLE:		
SIZE	DWG. NO.	REV
<b>B</b>	VAN-039-00	<b>A</b>
SCALE: 2:1	WEIGHT:	SHEET 1 OF 1