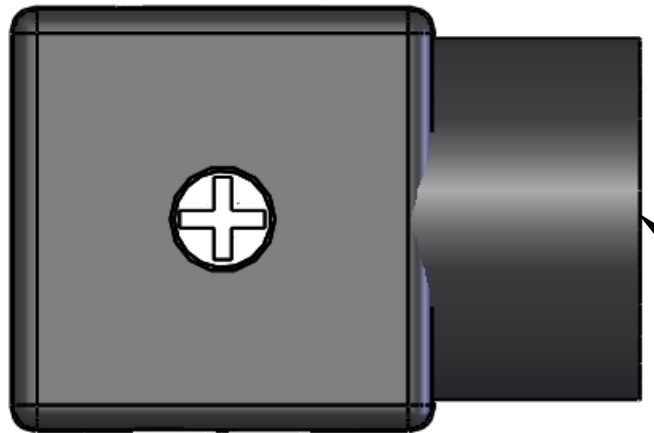
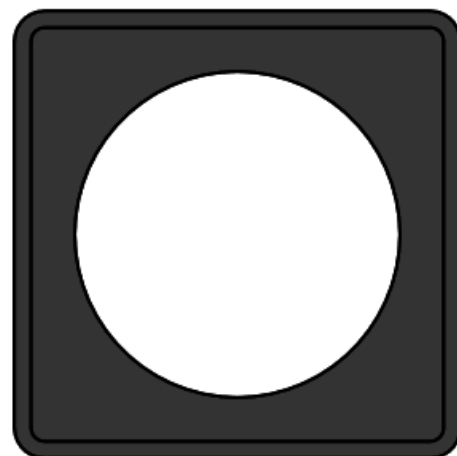
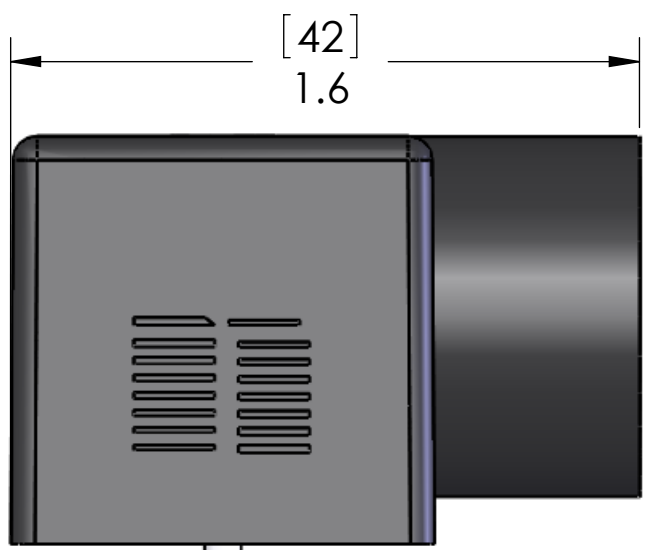


8 7 6 5 4 3 2 1

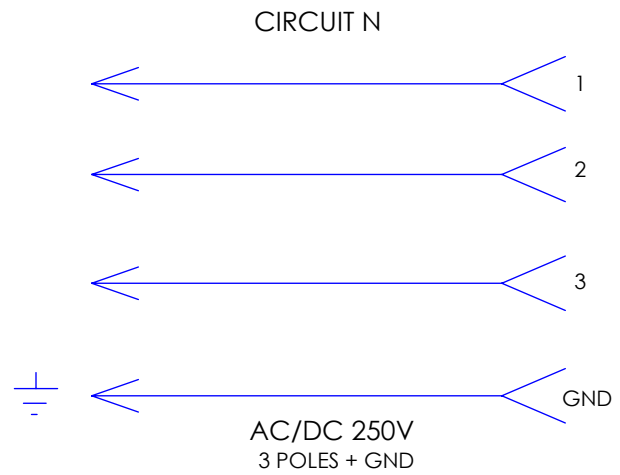
REVISIONS			
REV.	DESCRIPTION	DATE	APPROVED
A	REDRAWN IN SW	6/13/2007	BEM
B	ADDED GASKET DRAWING	6/10/2015	
C	CHANGED GASKET DWG	10/26/2015	



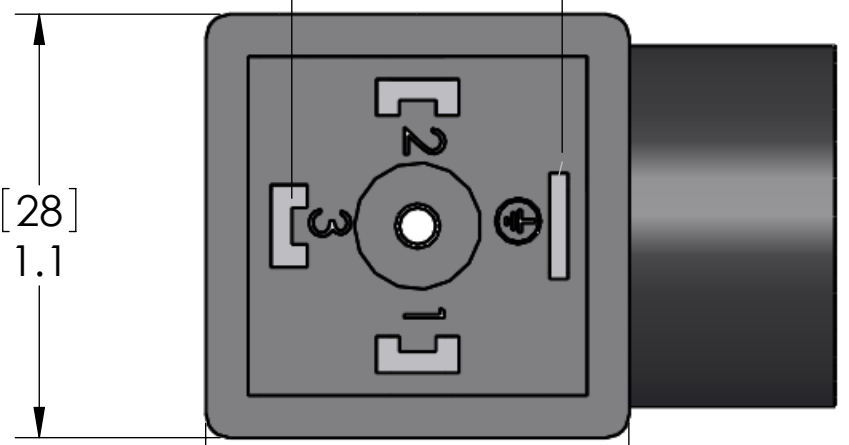
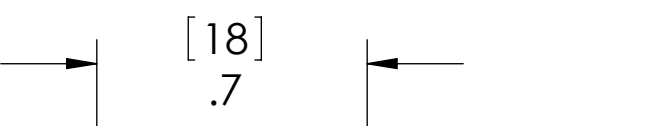
1/2" NPT



FORMED GASKET INCLUDED WITH CONNECTOR



M3



<b>MATERIALS:</b>	
COLOR:	BLACK
BODY:	POLYAMIDE
CONTACT:	COPPER ALLOY SILVER PLATED
GASKET:	THERMOPLASTIC
SCREW:	STEEL ZINC PLATE
TEMP:	-40°C TO +125°C
PROTECTION:	IP65

UNLESS OTHERWISE SPECIFIED:		NAME
DIMENSIONS ARE IN INCHES & [MM]	DRAWN	CAM
	CHECKED	
	ENG APPR.	
	MFG APPR.	
	Q.A.	
MATERIAL	COMMENTS:	
FINISH		
DO NOT SCALE DRAWING		

MENCOM CORPORATION		
TITLE: DIN A W/O ELECT 3+E 1/2 NPT		
SIZE <b>B</b>	DWG. NO. VAN-032-50	REV <b>C</b>
SCALE: 2:1	WEIGHT:	SHEET 1 OF 1

**PROPRIETARY AND CONFIDENTIAL**  
THE INFORMATION CONTAINED IN THIS DRAWING IS THE SOLE PROPERTY OF MENCOM CORPORATION. ANY REPRODUCTION IN PART OR AS A WHOLE WITHOUT THE WRITTEN PERMISSION OF MENCOM CORPORATION IS PROHIBITED.

8 7 6 5 4 3 2 1

D  
C  
B  
A

D  
C  
B  
A