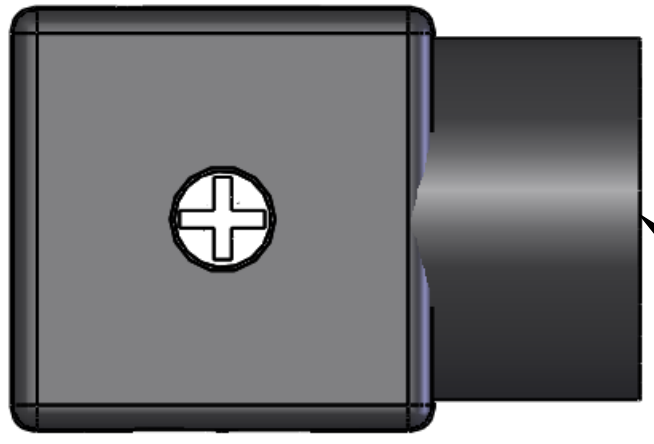
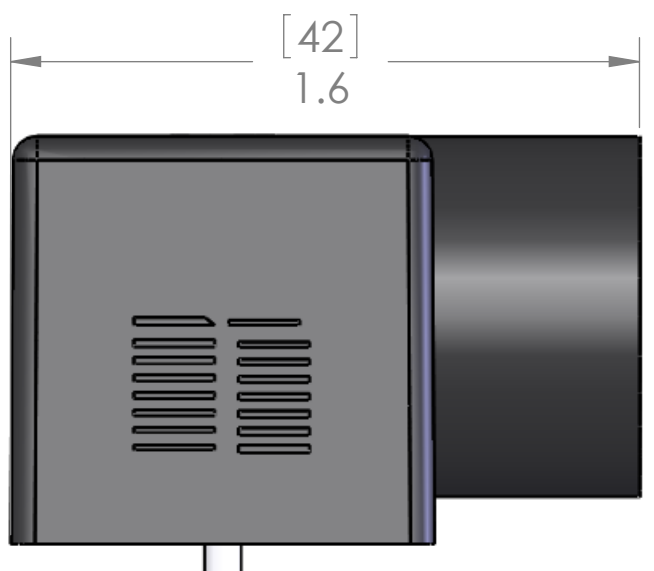


REVISIONS			
REV.	DESCRIPTION	DATE	APPROVED
A	REDRAWN IN SW	6/13/2007	BEM
B	ADDED GASKET DRAWING	6/10/2015	JJH



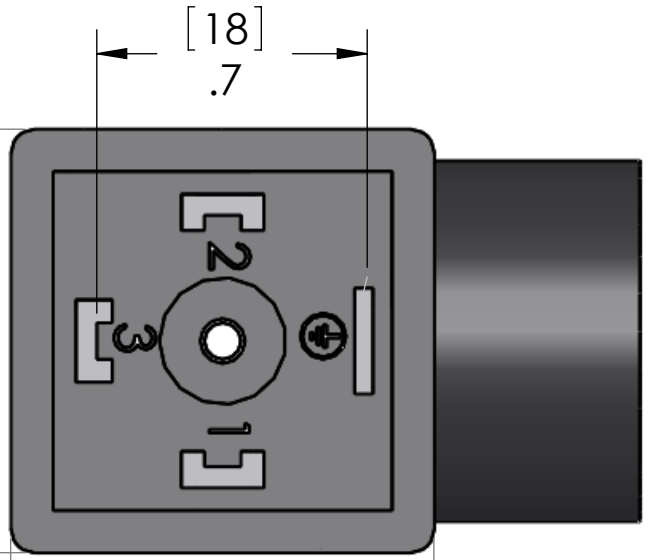
1/2" NPT



[42]  
1.6



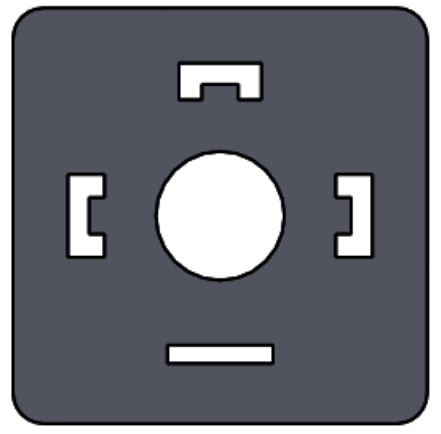
M3



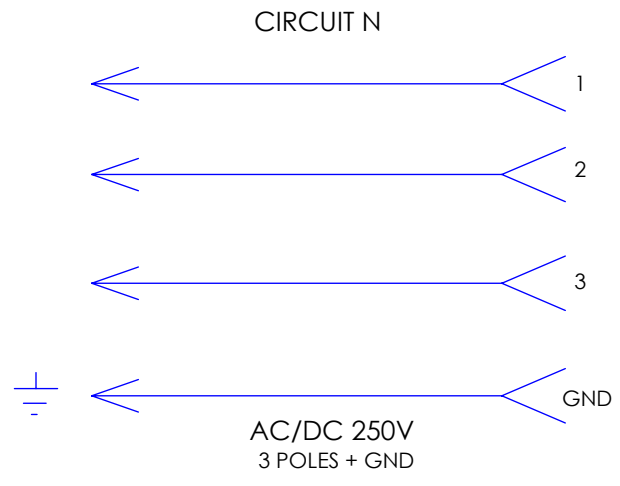
[18]  
.7

[28]  
1.1

[28]  
1.1



FLAT GASKET SUPPLIED WITH PART.



<b>MATERIALS:</b>	
<b>COLOR:</b>	BLACK
<b>BODY:</b>	POLYAMIDE
<b>CONTACT:</b>	COPPER ALLOY SILVER PLATED
<b>GASKET:</b>	THERMOPLASTIC
<b>SCREW:</b>	STEEL ZINC PLATE
<b>TEMP:</b>	-40°C TO +125°C
<b>PROTECTION:</b>	IP65

UNLESS OTHERWISE SPECIFIED:		NAME
DIMENSIONS ARE IN INCHES & [MM]	DRAWN	CAM
	CHECKED	
	ENG APPR.	
	MFG APPR.	
	Q.A.	
MATERIAL	COMMENTS:	
FINISH		
DO NOT SCALE DRAWING		

MENCOM CORPORATION		
TITLE: DIN A W/O ELECT 3+E 1/2 NPT		
SIZE <b>B</b>	DWG. NO. VAN-032-00	REV <b>B</b>
SCALE: 2:1	WEIGHT:	SHEET 1 OF 1

**PROPRIETARY AND CONFIDENTIAL**  
THE INFORMATION CONTAINED IN THIS DRAWING IS THE SOLE PROPERTY OF MENCOM CORPORATION. ANY REPRODUCTION IN PART OR AS A WHOLE WITHOUT THE WRITTEN PERMISSION OF MENCOM CORPORATION IS PROHIBITED.