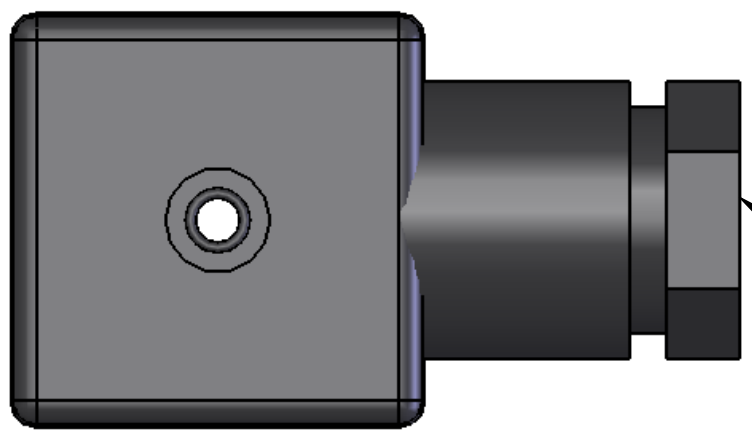
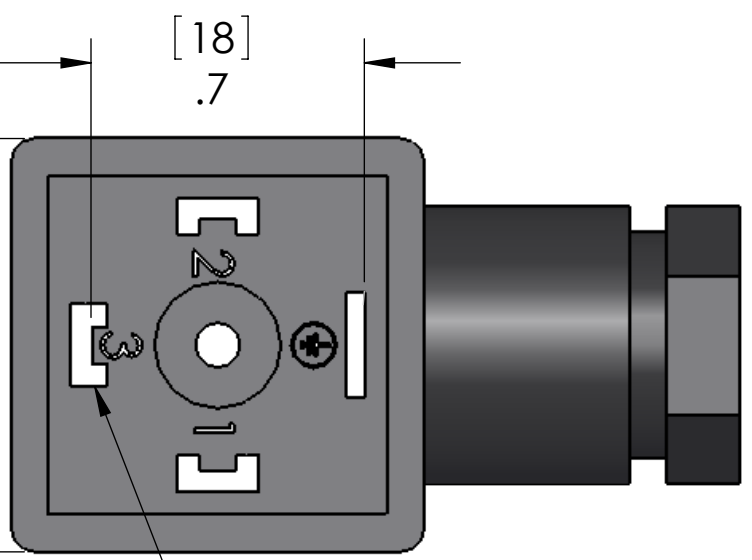
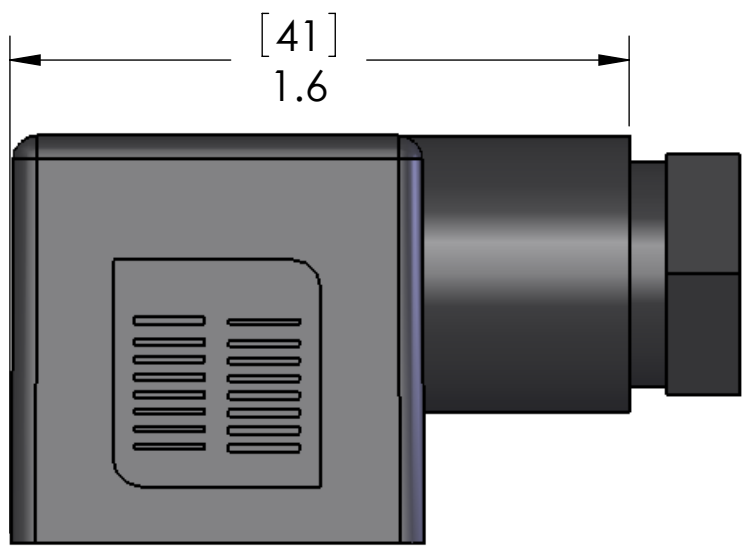
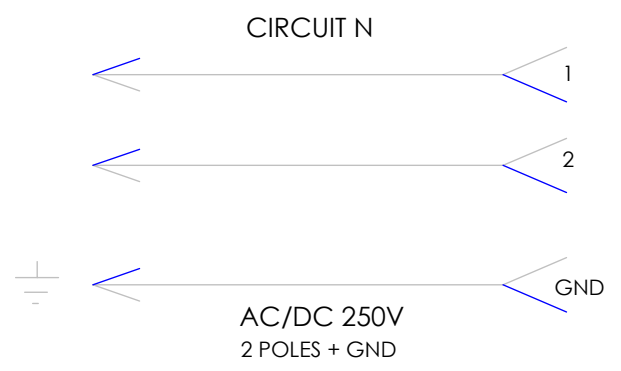


REVISIONS			
REV.	DESCRIPTION	DATE	APPROVED
A	REDRAWIN IN SW	6/13/2007	BEM



PG9 - FOR 6 TO 8 MM DIA. CABLES



Contact not present in this location

NOTE: GASKET AND SCREW INCLUDED WITH PART BUT NOT SHOWN ON PRINT FOR CLARITY

<b>MATERIALS:</b>	
COLOR:	BLACK
BODY:	POLYAMIDE
CONTACT:	COPPER ALLOY SILVER PLATED
GASKET:	THERMOPLASTIC
SCREW:	STEEL ZINC PLATE
TEMP:	-40°C TO +125°C
PROTECTION:	IP65

UNLESS OTHERWISE SPECIFIED:  
 DIMENSIONS ARE IN INCHES & [MM]  
 MATERIAL  
 FINISH  
 DO NOT SCALE DRAWING

NAME	CAM
DRAWN	
CHECKED	
ENG APPR.	
MFG APPR.	
Q.A.	
COMMENTS:	

MENCOM CORPORATION		
TITLE:		
SIZE	DWG. NO.	REV
<b>B</b>	VAN-029-00	<b>A</b>
SCALE: 2:1	WEIGHT:	SHEET 1 OF 1

**PROPRIETARY AND CONFIDENTIAL**  
 THE INFORMATION CONTAINED IN THIS DRAWING IS THE SOLE PROPERTY OF MENCOM CORPORATION. ANY REPRODUCTION IN PART OR AS A WHOLE WITHOUT THE WRITTEN PERMISSION OF MENCOM CORPORATION IS PROHIBITED.