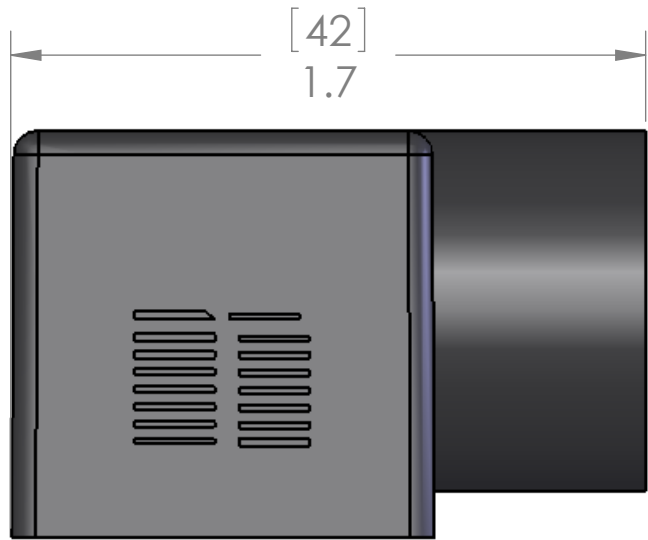
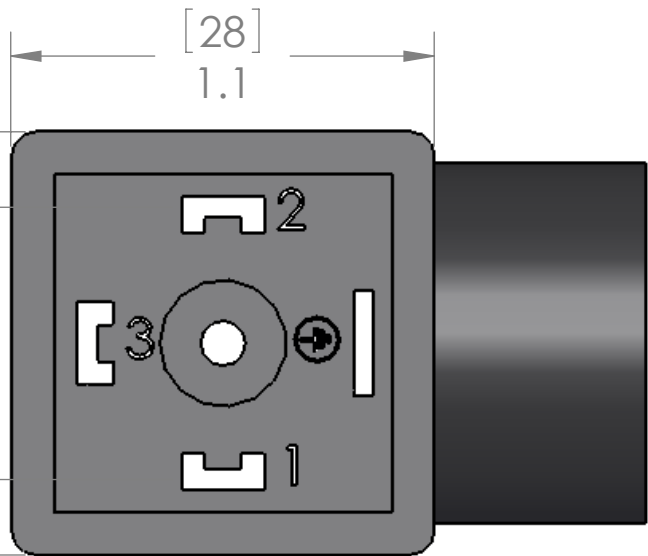


1/2" NPT FOR CONDUIT



[42]
1.7



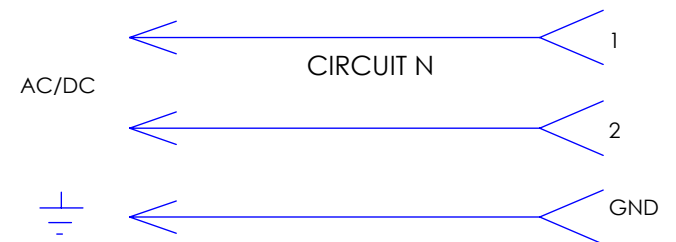
[28]
1.1

[28]
1.1

[18]
.7

NOTE: GASKET AND SCREW INCLUDED WITH PART BUT NOT SHOWN ON PRINT FOR CLARITY

REVISIONS			
REV.	DESCRIPTION	DATE	APPROVED
A	REDRAW IN SW	7/22/2009	BEM



AC/DC 250V
2 POLES + GND

PIN #3 DOES NOT HAVE A CONTACT LOADED.

MATERIALS:	
COLOR:	BLACK
BODY:	POLYAMIDE
CONTACT:	COPPER ALLOY SILVER PLATED
GASKET:	THERMOPLASTIC
SCREW:	STEEL ZINC PLATE
TEMP:	-40°C TO +125°C
PROTECTION:	IP65

UNLESS OTHERWISE SPECIFIED:
DIMENSIONS ARE IN INCHES & [MM]

DRAWN	NAME
CHECKED	CAM
ENG APPR.	
MFG APPR.	
Q.A.	
COMMENTS:	
MATERIAL	
FINISH	
DO NOT SCALE DRAWING	

MENCOM CORPORATION		
TITLE:		
SIZE	DWG. NO.	REV
B	VAN-022-00	A
SCALE: 2:1	WEIGHT:	SHEET 1 OF 1

PROPRIETARY AND CONFIDENTIAL
THE INFORMATION CONTAINED IN THIS DRAWING IS THE SOLE PROPERTY OF MENCOM CORPORATION. ANY REPRODUCTION IN PART OR AS A WHOLE WITHOUT THE WRITTEN PERMISSION OF MENCOM CORPORATION IS PROHIBITED.