

WIRING CHART	
DIN A	M12
1	2
2	3
GND	5

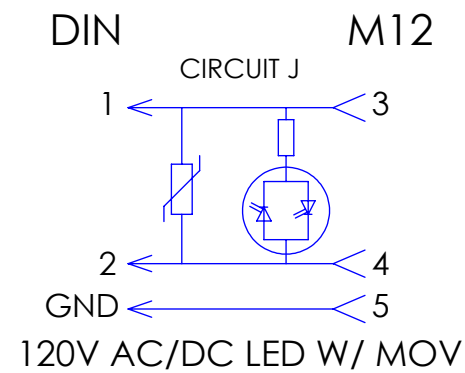
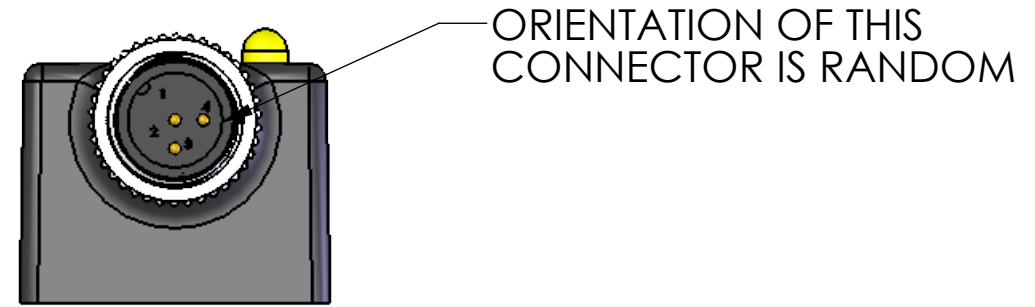
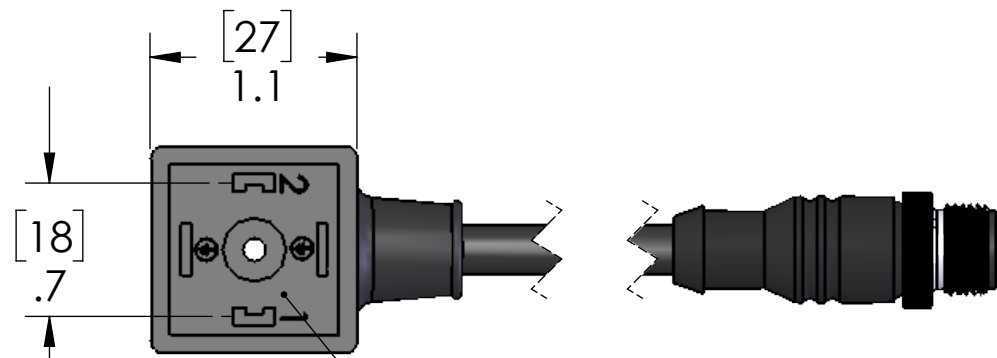
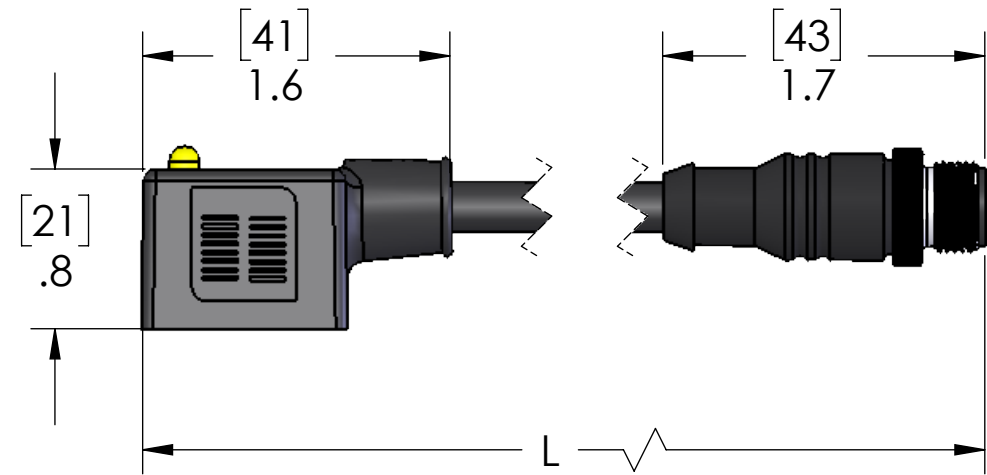


TABLE A	
P/N	L
VAJ-B20-3501	6" [.15M]
VAJ-D20-3501	12" [0.3M]
VAJ-F20-3501	20" [1M]
VAJ-H20-3501	59" [1.5M]
VAJ-220-3501	79" [2M]
VAJ-H20-3501	99" [2.5M]
VAJ-320-3501	118" [3M]
VAJ-420-3501	157" [4M]
VAJ-520-3501	197" [5M]
VAJ-620-3501	236" [6M]
VAJ-820-3501	315" [8M]
VAJ-A20-3501	393" [10M]

MATERIAL	
DIN CONNECTOR	
BODY:	BLACK POLYAMIDE
CONTACTS:	COPPER ALLOY W/ SILVER PLATED
GASKET:	THERMOPLASTIC RUBBER
SCREW:	STEEL ZINC PLATE
MDC CONNECTOR	
BODY:	BLACK PVC
CONTACTS:	COPPER ALLOY W/ GOLD PLATING
COUPLING NUT:	NICKEL PLATED BRASS
CABLE:	BLACK PVC, 4 X 18 AWG
IP65	

PROPRIETARY AND CONFIDENTIAL
 THE INFORMATION CONTAINED IN THIS DRAWING IS THE SOLE PROPERTY OF MENCOM CORPORATION. ANY REPRODUCTION IN PART OR AS A WHOLE WITHOUT THE WRITTEN PERMISSION OF MENCOM CORPORATION IS PROHIBITED.

UNLESS OTHERWISE SPECIFIED:	
DIMENSIONS ARE IN INCHES AND [MM]	
MATERIAL	
FINISH	
DO NOT SCALE DRAWING	

DRAWN BY: JJH		
DRAWN DATE: 11/08/2018		
CHECKED BY: ADM		
CHECK DATE: 11/09/2018		
COMMENTS:		
MENCOM CORPORATION		
TITLE:		
SIZE: B	DWG. NO.: VAJ-ZZ20-3501	REV: A
SCALE: 1:1	WEIGHT:	SHEET 1 OF 1