

PIN #	COLOR
1	BROWN
2	BLUE
GND	GREEN / YELLOW

D

D

C

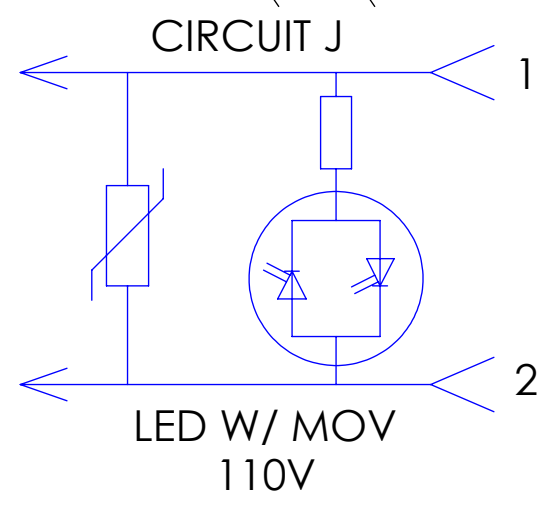
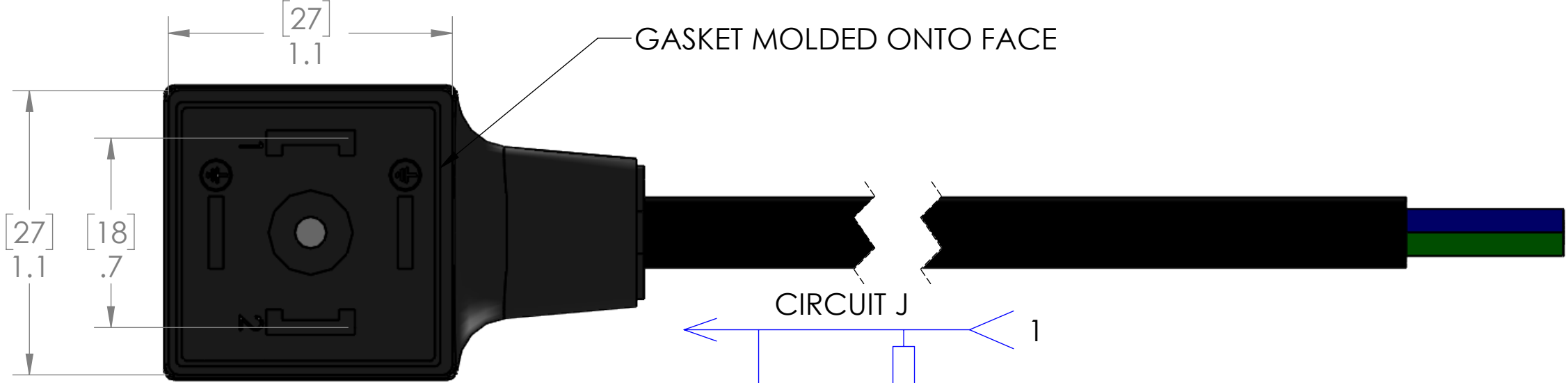
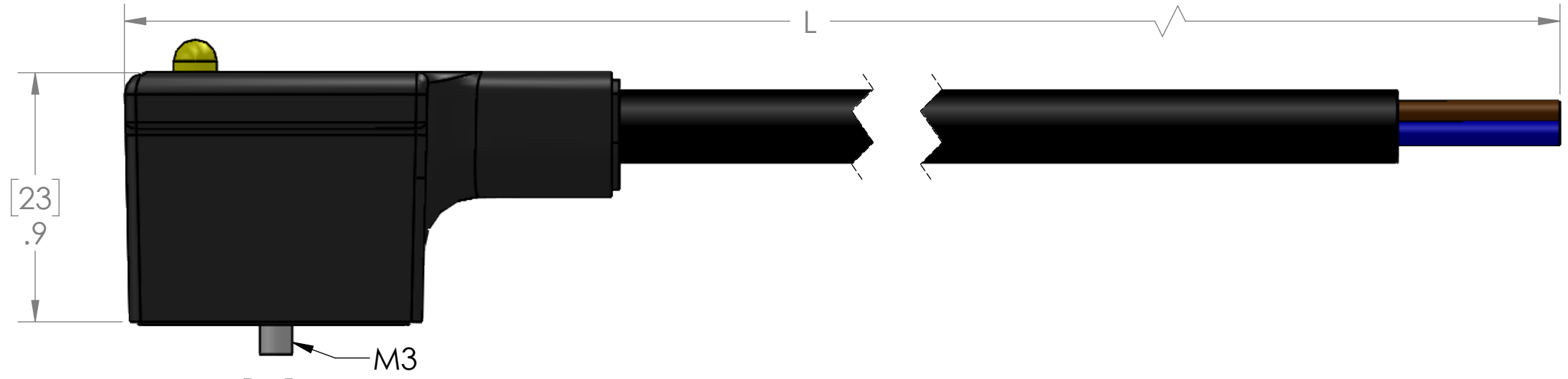
C

B

B

A

A



P/N	L	STD?
VAJ-120-00	39" [1M]	NO
VAJ-220-00	79" [2M]	YES
VAJ-320-00	118" [3M]	NO
VAJ-420-00	157" [4M]	NO
VAJ-520-00	197" [5M]	YES
VAJ-620-00	236" [6M]	NO
VAJ-A20-00	393" [10M]	YES

PARTS LISTED AS NOT BEING STANDARD MAY REQUIRE MINIMUM ORDERS

MATERIALS	
BODY:	TPE
CONTACTS:	SILVER PLATED COPPER ALLOY
CABLE:	BLACK 18/3 OIL RESISTANT
SCREW:	ZINC PLATED STEEL

**PROPRIETARY AND CONFIDENTIAL**  
 THE INFORMATION CONTAINED IN THIS DRAWING IS THE SOLE PROPERTY OF MENCOM CORPORATION. ANY REPRODUCTION IN PART OR AS A WHOLE WITHOUT THE WRITTEN PERMISSION OF MENCOM CORPORATION IS PROHIBITED.

VOLTS	110V
AMPS	10A
TEMP:	90°C

UNLESS OTHERWISE SPECIFIED:	DRAWN BY	ADM
DIMENSIONS ARE IN INCHES AND [MM]	DRAWN DATE	09/22/2016
	CHECKED BY	
	CHECK DATE	
	COMMENTS:	
	DO NOT SCALE DRAWING	

MENCOM CORPORATION		
TITLE: DIN A 110V MOV LED 2+E		
SIZE	DWG. NO.	REV
<b>B</b>	VAJ-ZZ20-00	<b>B</b>
SCALE: 2:1	WEIGHT:	SHEET 1 OF 1