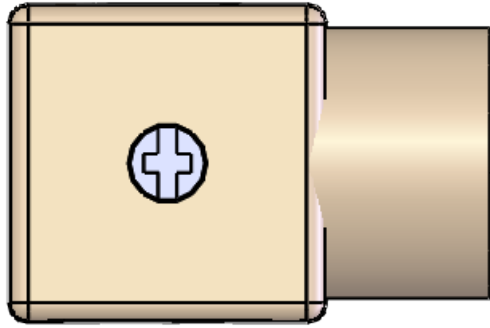


8 7 6 5 4 3 2 1

D

D

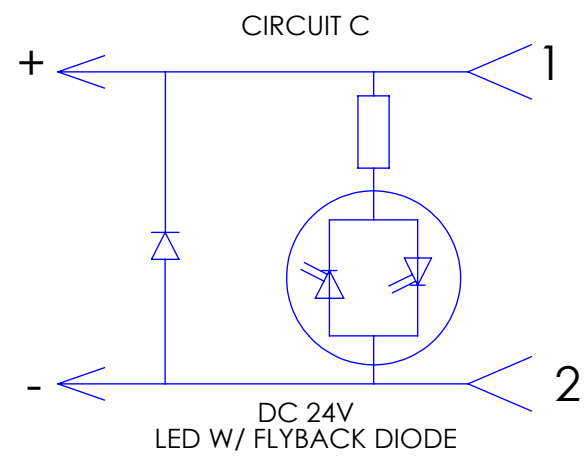
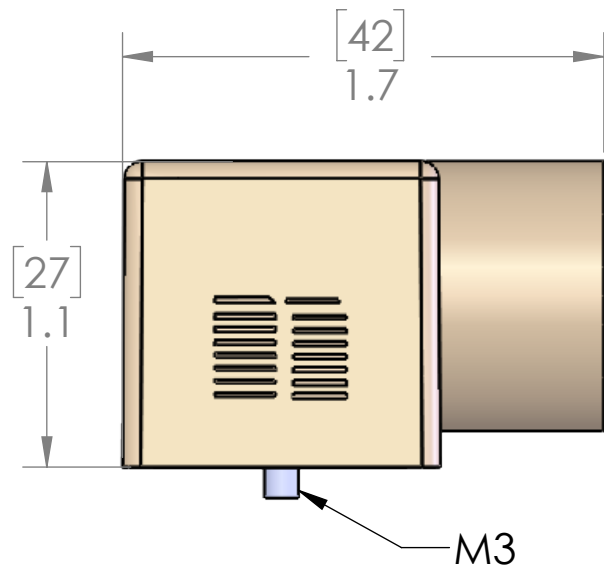


1/2"-14 NPT FEMALE

C

C

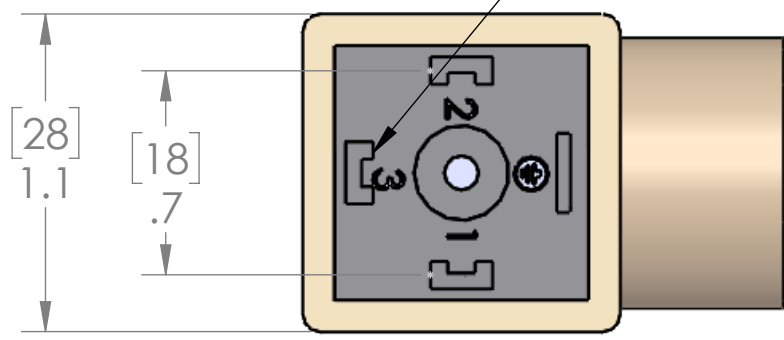
NOTE: GASKET INCLUDED WITH PART BUT NOT SHOWN ON PRINT FOR CLARITY



B

B

CONTACT NOT PRESENT IN THIS LOCATION



MATERIALS:	
HOUSING:	TRANSLUCENT POLYAMIDE
CONTACTS:	SILVER PLATED COPPER ALLOY
GASKET:	THERMOPLASTIC RUBBER
SCREW:	ZINC PLATED STEEL
RATINGS:	
VOLTAGE:	24 VDC
AMPERAGE:	1A MAX
WIRE AWG:	18AWG MAX
TEMPERATURE:	-40°C / +125°C
PROTECTION:	IP65

PROPRIETARY AND CONFIDENTIAL
 THE INFORMATION CONTAINED IN THIS DRAWING IS THE SOLE PROPERTY OF MENCOM CORPORATION. ANY REPRODUCTION IN PART OR AS A WHOLE WITHOUT THE WRITTEN PERMISSION OF MENCOM CORPORATION IS PROHIBITED.

UNLESS OTHERWISE SPECIFIED: DIMENSIONS ARE IN INCHES AND [MM]	DRAWN BY	ADM
	DRAWN DATE	05/15/2023
	CHECKED BY	JJH
	CHECK DATE	05/15/2023
COMMENTS:		
MATERIAL		
FINISH		
DO NOT SCALE DRAWING		

MENCOM CORPORATION		
TITLE: DIN A 24VDC LED W/DIODE 1/2" NPT		
SIZE B	DWG. NO. VAC-022-00	REV B
SCALE: 2:1	WEIGHT:	SHEET 1 OF 1

8 7 6 5 4 3 2 1

A

A