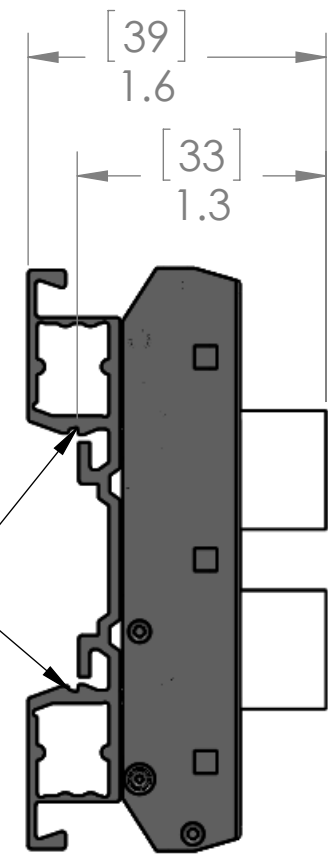
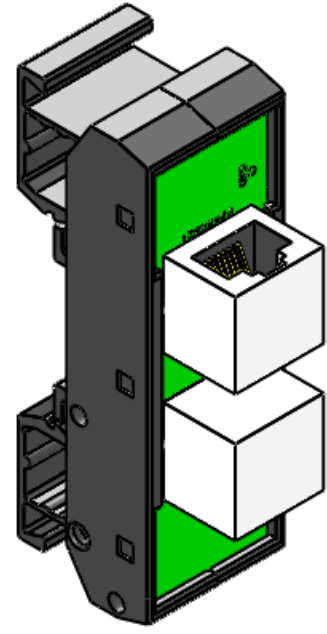
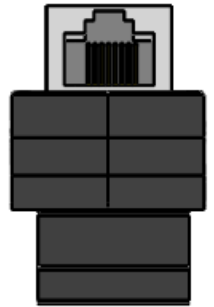
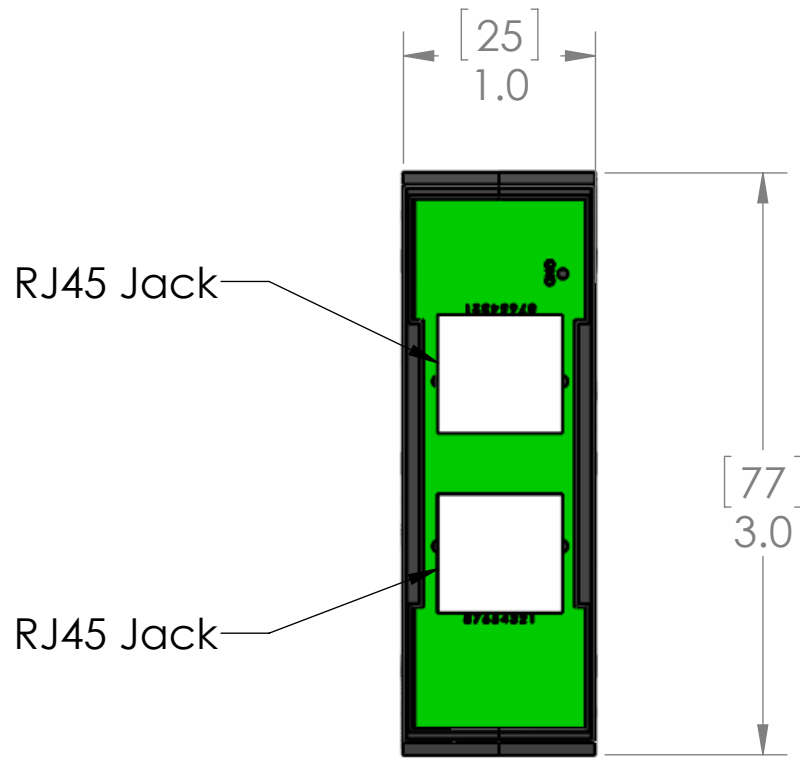


WIRING	
RJ45 JACK	RJ45 JACK
1	1
2	2
3	4
4	4
5	5
6	6
7	7
8	8
SHIELD	SHIELD



T35 DIN Rail snaps in here

REVISIONS			
REV.	DESCRIPTION	DATE	APPROVED
A	DRAWN IN SW	7/16/2014	JJH



MATERIALS:	
BODY:	BLACK NYLON

PROPRIETARY AND CONFIDENTIAL
 THE INFORMATION CONTAINED IN THIS DRAWING IS THE SOLE PROPERTY OF MENCOM CORPORATION. ANY REPRODUCTION IN PART OR AS A WHOLE WITHOUT THE WRITTEN PERMISSION OF MENCOM CORPORATION IS PROHIBITED.

UNLESS OTHERWISE SPECIFIED: DIMENSIONS ARE IN INCHES AND [MM]	NAME BEM
INTERPRET GEOMETRIC TOLERANCING PER:	COMMENTS:
MATERIAL	
FINISH	
APPLICATION	DO NOT SCALE DRAWING

MENCOM CORPORATION		
TITLE: RJ45-RJ45 DIN RAIL ADPTR		
SIZE B	DWG. NO. T35-RJ45-RJ45	REV A
SCALE: 1:1	WEIGHT:	SHEET 1 OF 1