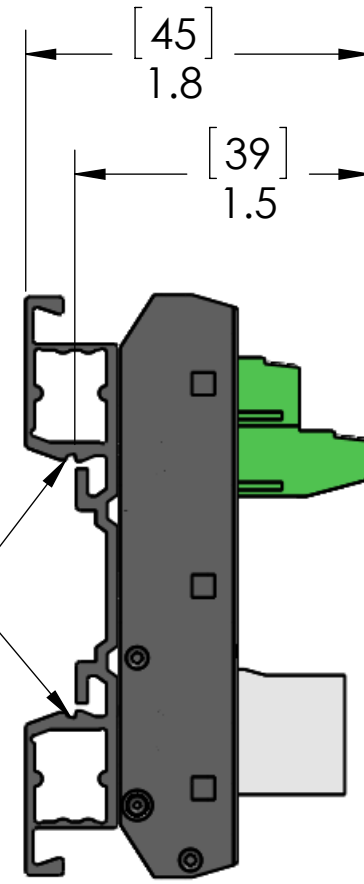
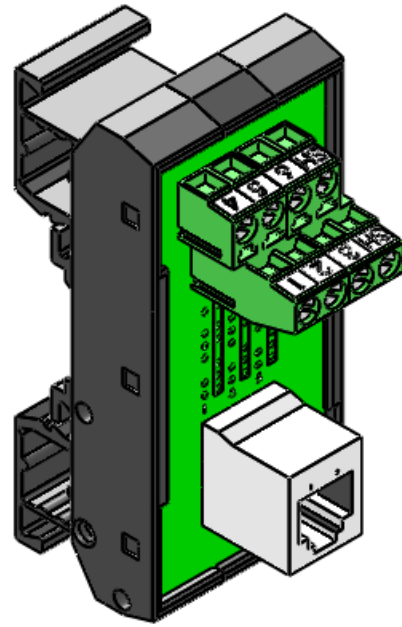


WIRING	
RJ12 JACK	TERMINAL BLOCK
1	1
2	2
3	3
4	4
5	5
6	6
SHIELD	SHIELD



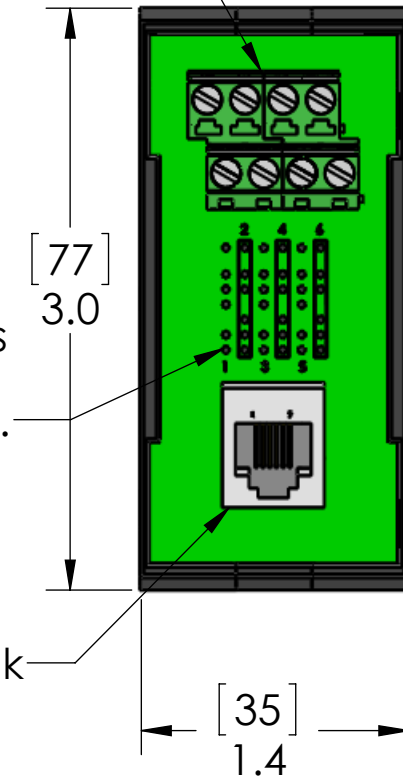
T35 DIN Rail
snaps in here

REVISIONS			
REV.	DESCRIPTION	DATE	APPROVED
A	DRAWN IN SW	1/20/2015	BEM

TERMINAL BLOCK

Series of 1 mm holes
in parallel with
corresponding pins.

RJ12 Jack



MATERIALS:	
BODY:	BLACK NYLON

PROPRIETARY AND CONFIDENTIAL
THE INFORMATION CONTAINED IN THIS DRAWING IS THE SOLE PROPERTY OF MENCOM CORPORATION. ANY REPRODUCTION IN PART OR AS A WHOLE WITHOUT THE WRITTEN PERMISSION OF MENCOM CORPORATION IS PROHIBITED.

UNLESS OTHERWISE SPECIFIED: DIMENSIONS ARE IN INCHES AND [MM]	NAME DRAWN: JJH
INTERPRET GEOMETRIC TOLERANCING PER:	CHECKED:
MATERIAL	ENG APPR.:
FINISH	MFG APPR.:
APPLICATION	Q.A.:
DO NOT SCALE DRAWING	COMMENTS:

MENCOM CORPORATION		
TITLE:		
SIZE B	DWG. NO. T35-RJ12-TB	REV A
SCALE: 1:1	WEIGHT:	SHEET 1 OF 1