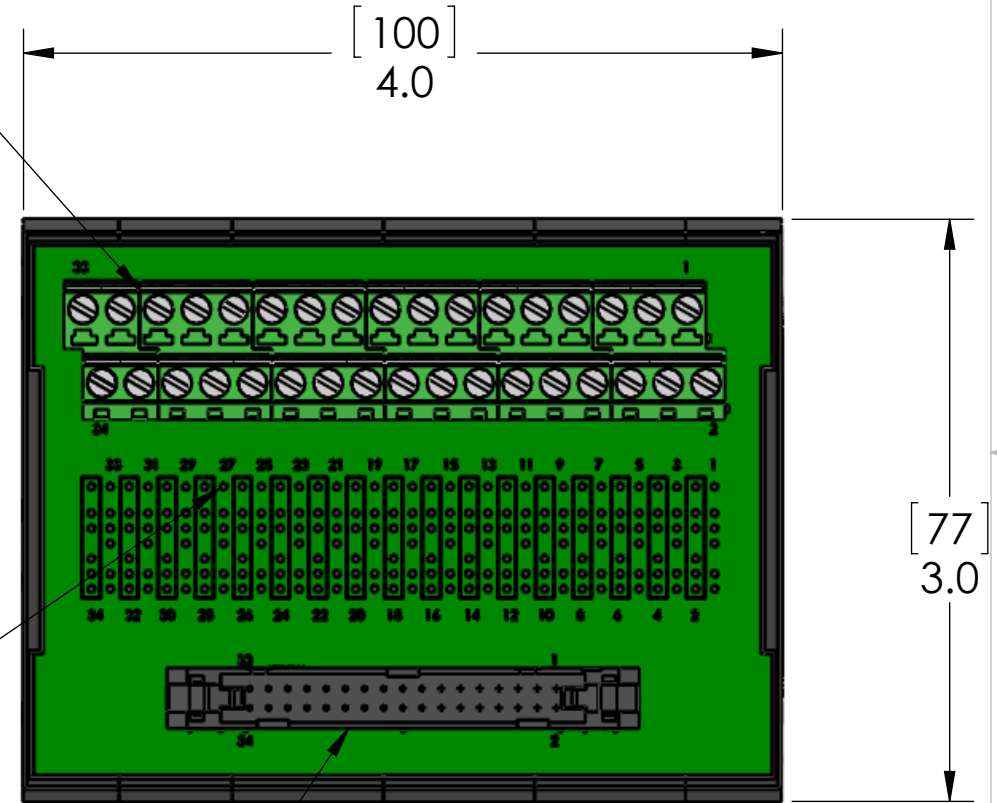
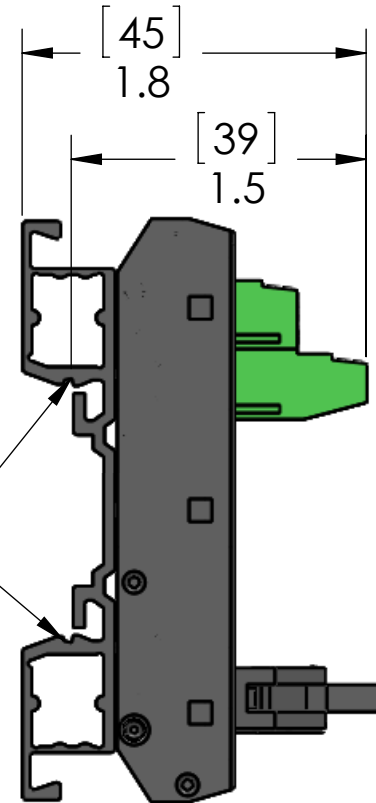
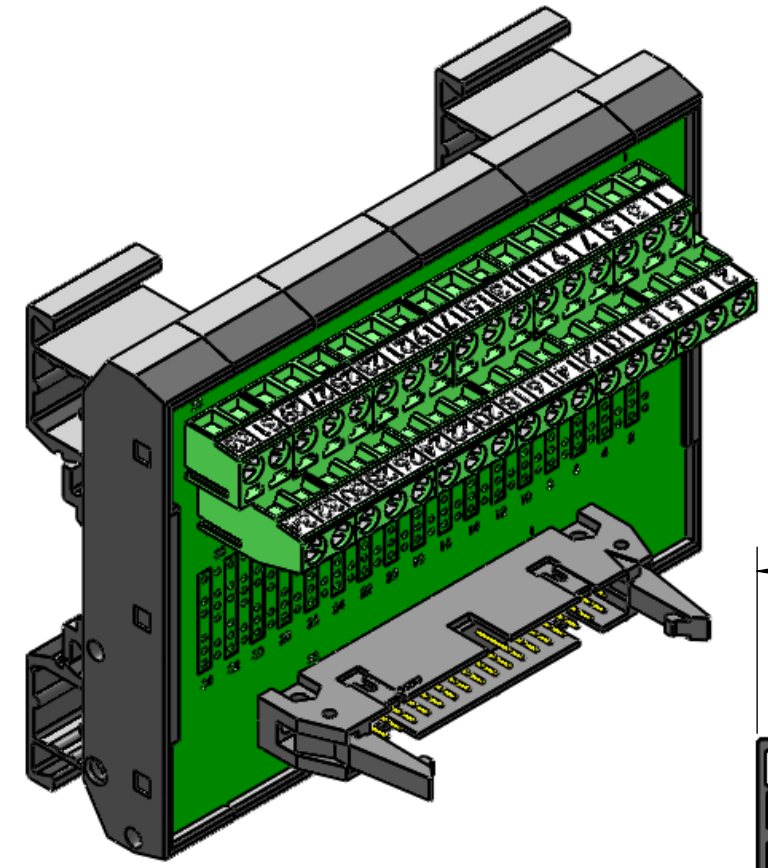


WIRING	
26 Pin Ribbon Cable	TERMINAL BLOCK
1	1
2	2
3	3
4	4
etc.	etc.
31	31
32	32
33	33
34	34

REVISIONS			
REV.	DESCRIPTION	DATE	APPROVED
A	DRAWN IN SW	3/6/2015	JJH



T35 DIN Rail snaps in here

Series of 1mm holes in parallel with corresponding pins.

34 Pin Ribbon Cable Header

Specifications:	
Terminal Blocks:	
Wire AWG:	30 - 14AWG [0.05 - 2.5 sqmm]
Recommended Torque:	4.4 lbf-in [0.5 Nm]
Strip Length:	0.27" [7mm]
Housing Material:	Black Nylon

**PROPRIETARY AND CONFIDENTIAL**  
 THE INFORMATION CONTAINED IN THIS DRAWING IS THE SOLE PROPERTY OF MENCOM CORPORATION. ANY REPRODUCTION IN PART OR AS A WHOLE WITHOUT THE WRITTEN PERMISSION OF MENCOM CORPORATION IS PROHIBITED.

UNLESS OTHERWISE SPECIFIED:	NAME
DIMENSIONS ARE IN INCHES AND [MM]	DRAWN BEM
	CHECKED
	ENG APPR.
	MFG APPR.
	Q.A.
	COMMENTS:
INTERPRET GEOMETRIC TOLERANCING PER:	
MATERIAL	
FINISH	
APPLICATION	DO NOT SCALE DRAWING

MENCOM CORPORATION		
TITLE:		
SIZE	DWG. NO.	REV
<b>B</b>	T35-RC26-TB	<b>A</b>
SCALE: 1:1	WEIGHT:	SHEET 1 OF 1