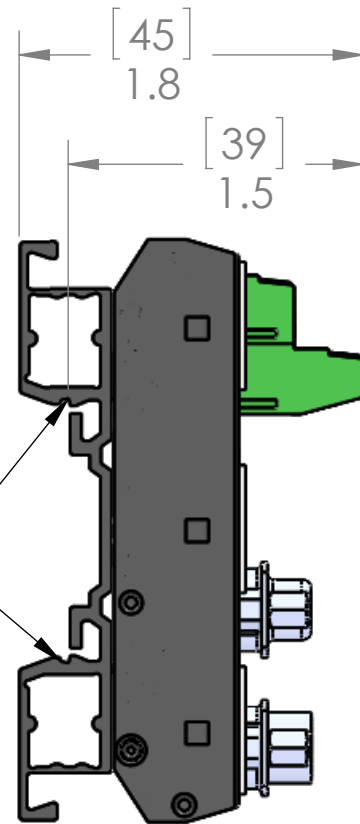
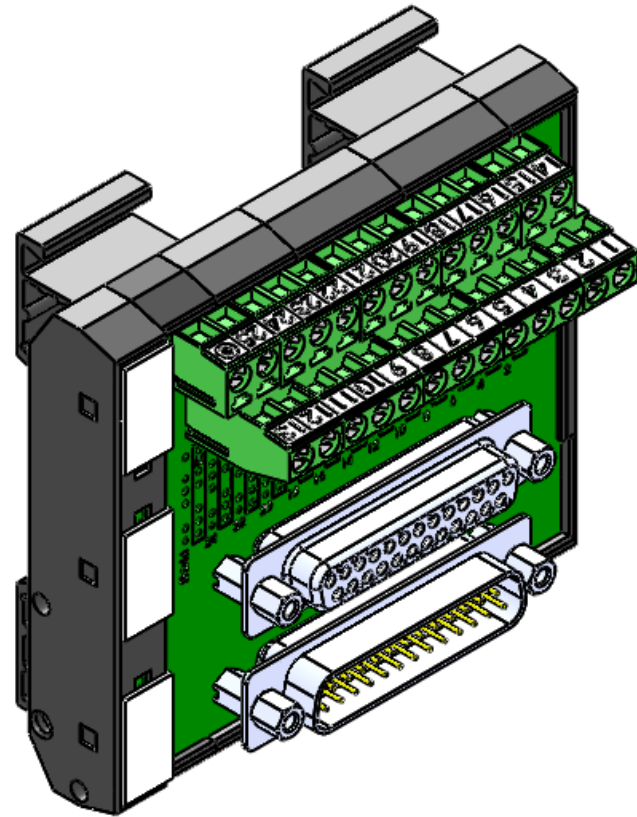


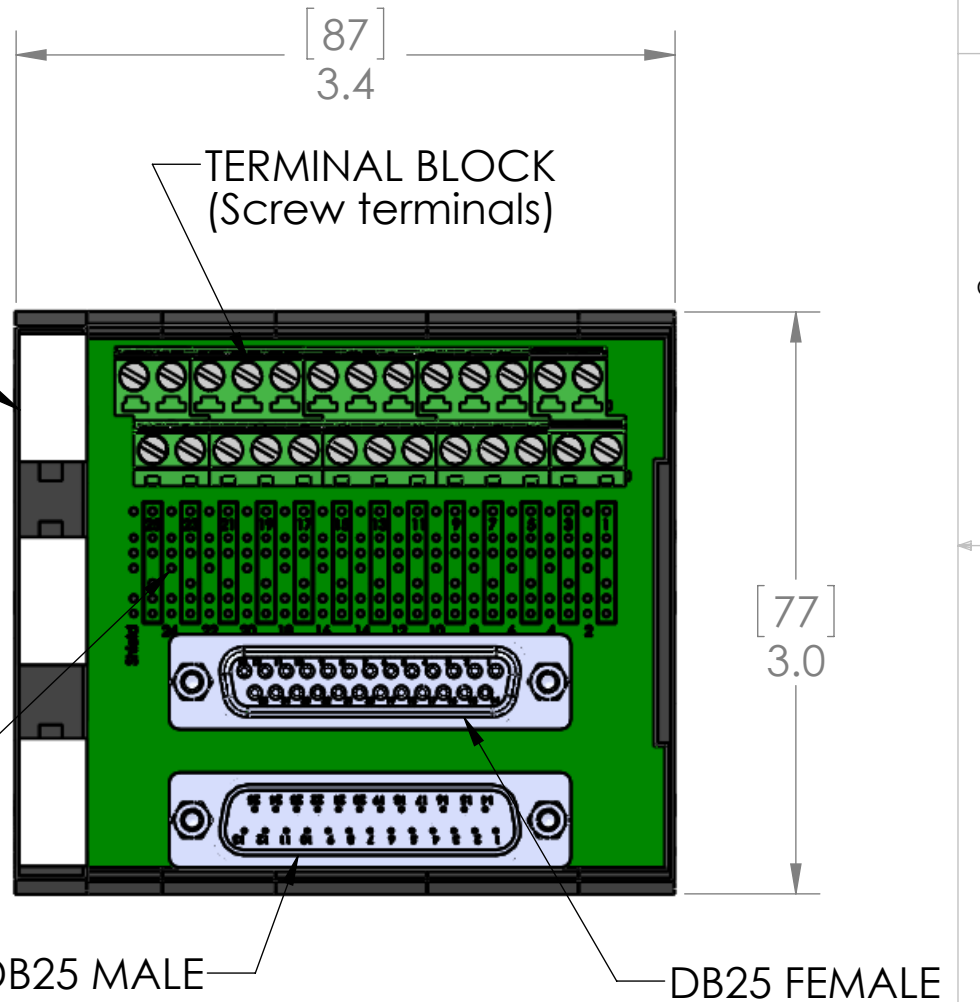
WIRING		
DB9M	DB9F	TERMINAL BLOCK
1	1	1
2	2	2
3	3	3
4	4	4
etc.	etc.	etc.
22	22	22
23	23	23
24	24	24
25	25	25
SHIELD	SHIELD	SHIELD



T35 DIN Rail snaps in here

Marker Tabs (3x)

Series of 1mm holes in parallel with corresponding pins and shield.



DB25 MALE

DB25 FEMALE

REVISIONS			
REV.	DESCRIPTION	DATE	APPROVED
A	DRAWN IN SW	7/16/2014	JJH

<b>MATERIALS:</b>	
<b>BODY:</b>	<b>BLACK NYLON</b>

**PROPRIETARY AND CONFIDENTIAL**  
 THE INFORMATION CONTAINED IN THIS DRAWING IS THE SOLE PROPERTY OF MENCOM CORPORATION. ANY REPRODUCTION IN PART OR AS A WHOLE WITHOUT THE WRITTEN PERMISSION OF MENCOM CORPORATION IS PROHIBITED.

VOLTS	250V
AMPS	1.5A
APPLICATION	

UNLESS OTHERWISE SPECIFIED: DIMENSIONS ARE IN INCHES AND [MM]	DRAWN	NAME
	CHECKED	BEM
	ENG APPR.	
	MFG APPR.	
	Q.A.	
	COMMENTS:	
INTERPRET GEOMETRIC TOLERANCING PER:		
MATERIAL		
FINISH		
DO NOT SCALE DRAWING		

MENCOM CORPORATION

TITLE:

SIZE	DWG. NO.	REV
<b>B</b>	T35-DB25MF-TB-MC	<b>A</b>
SCALE: 1:1	WEIGHT:	SHEET 1 OF 1