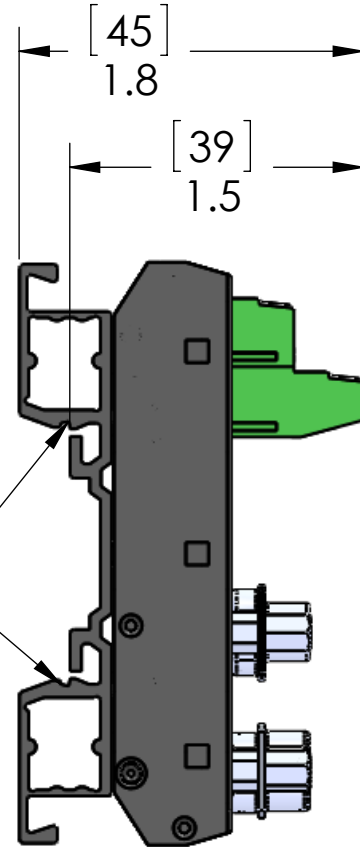
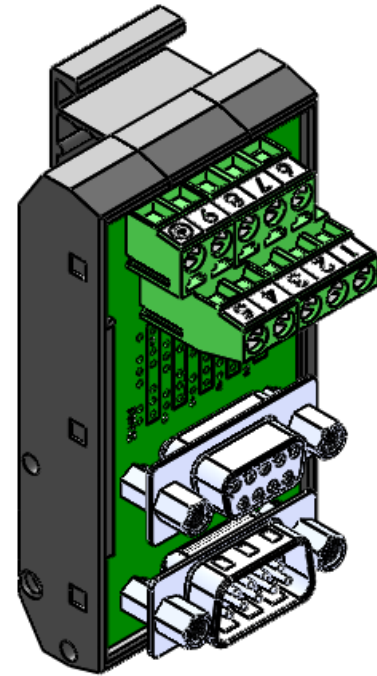


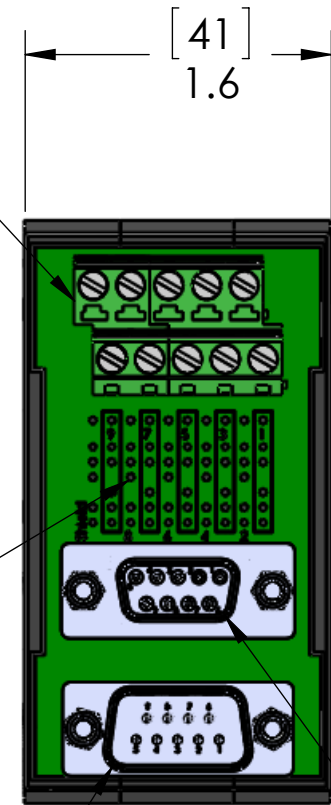
WIRING		
DB9M	DB9F	TERMINAL BLOCK
1	1	1
2	2	2
3	3	3
4	4	4
5	5	5
6	6	6
7	7	7
8	8	8
9	9	9
SHIELD	SHIELD	SHIELD



T35 DIN Rail snaps in here

TERMINAL BLOCK (Screw terminals)

Series of 1mm holes in parallel with corresponding pins and shield.



DB9 MALE

DB9 FEMALE

REVISIONS			
REV.	DESCRIPTION	DATE	APPROVED
A	DRAWN IN SW	7/16/2014	BEM

MATERIALS:	
BODY:	BLACK NYLON

PROPRIETARY AND CONFIDENTIAL
 THE INFORMATION CONTAINED IN THIS DRAWING IS THE SOLE PROPERTY OF MENCORPORATION. ANY REPRODUCTION IN PART OR AS A WHOLE WITHOUT THE WRITTEN PERMISSION OF MENCORPORATION IS PROHIBITED.

VOLTS	250V
AMPS	1.5A
APPLICATION	DO NOT SCALE DRAWING

UNLESS OTHERWISE SPECIFIED: DIMENSIONS ARE IN INCHES AND [MM]	NAME J JH
INTERPRET GEOMETRIC TOLERANCING PER: MATERIAL	DRAWN
FINISH	CHECKED
	ENG APPR.
	MFG APPR.
	Q.A.
	COMMENTS:

MENCORPORATION		
TITLE:		
SIZE B	DWG. NO. T35-DB09MF-TB	REV A
SCALE: 1:1	WEIGHT:	SHEET 1 OF 1