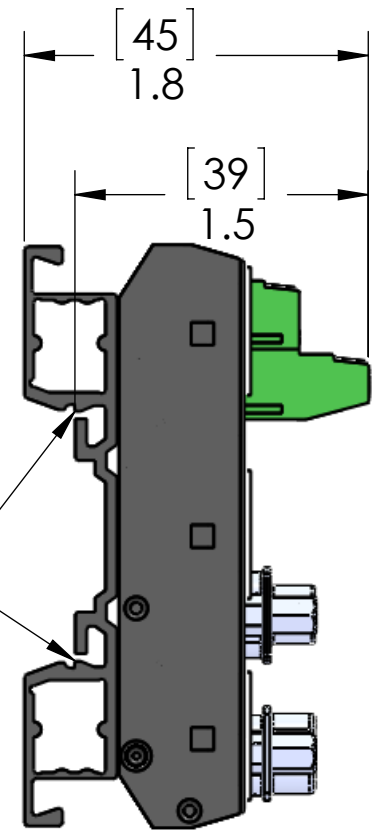
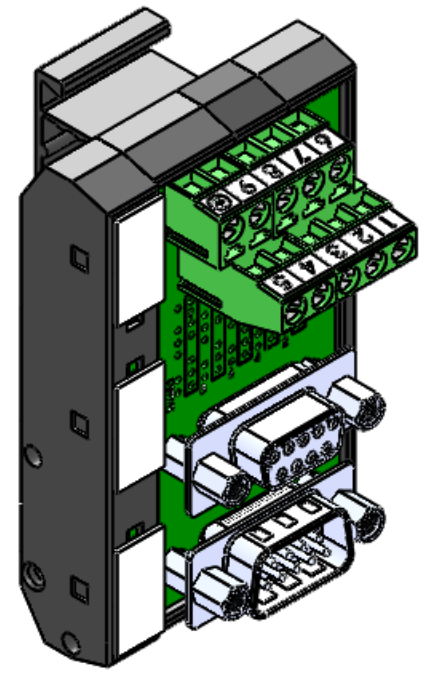
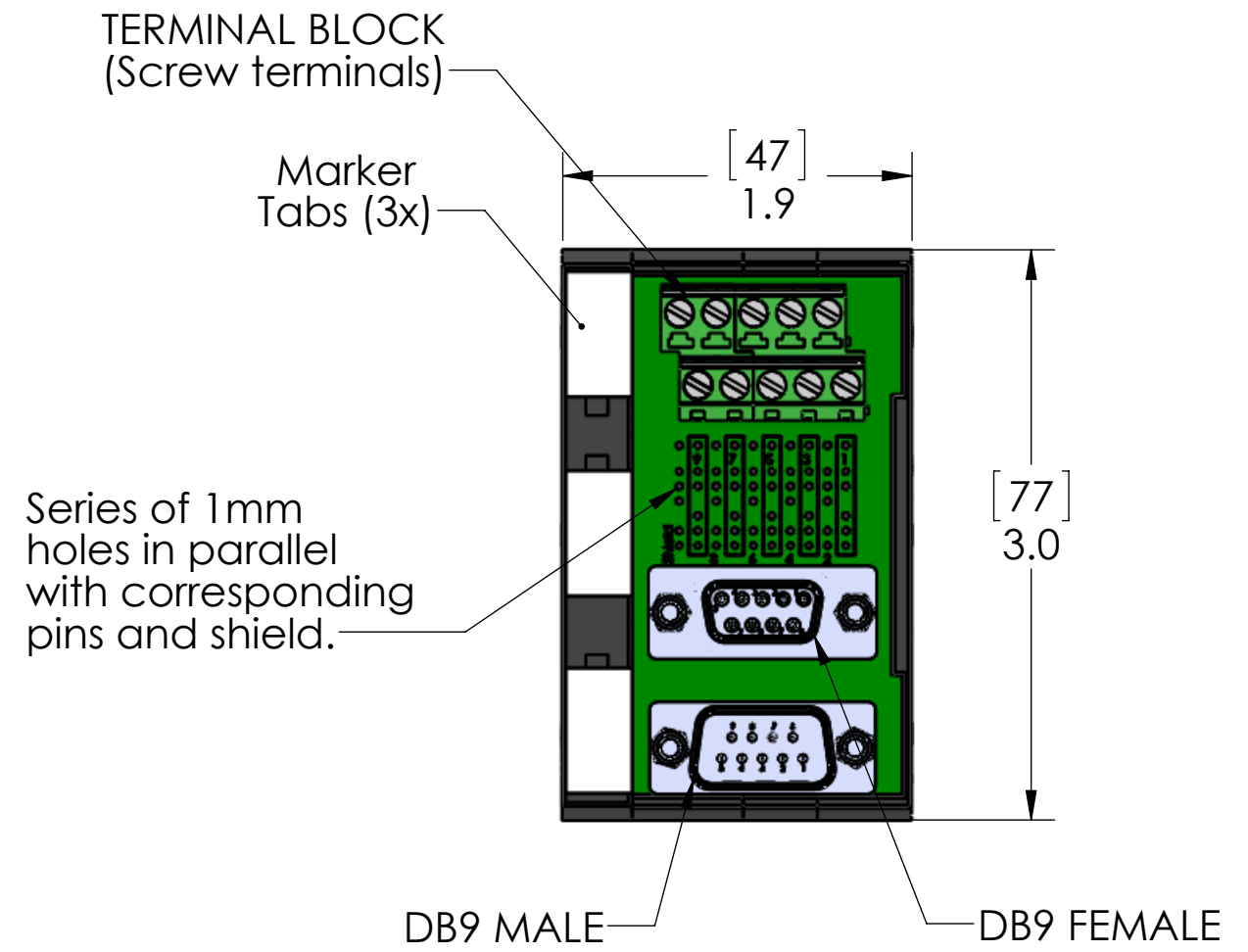


WIRING		
DB9M	DB9F	TERMINAL BLOCK
1	1	1
2	2	2
3	3	3
4	4	4
5	5	5
6	6	6
7	7	7
8	8	8
9	9	9
SHIELD	SHIELD	SHIELD

REVISIONS			
REV.	DESCRIPTION	DATE	APPROVED
A	DRAWN IN SW	7/16/2014	BEM



T35 DIN Rail snaps in here



Series of 1mm holes in parallel with corresponding pins and shield.

<b>MATERIALS:</b>	
<b>BODY:</b>	<b>BLACK NYLON</b>

**PROPRIETARY AND CONFIDENTIAL**  
 THE INFORMATION CONTAINED IN THIS DRAWING IS THE SOLE PROPERTY OF MENCOM CORPORATION. ANY REPRODUCTION IN PART OR AS A WHOLE WITHOUT THE WRITTEN PERMISSION OF MENCOM CORPORATION IS PROHIBITED.

<b>VOLTS</b>	<b>250V</b>
<b>AMPS</b>	<b>1.5A</b>
APPLICATION	DO NOT SCALE DRAWING

UNLESS OTHERWISE SPECIFIED: DIMENSIONS ARE IN INCHES AND [MM]	NAME J JH
INTERPRET GEOMETRIC TOLERANCING PER: MATERIAL	DRAWN
FINISH	CHECKED
	ENG APPR.
	MFG APPR.
	Q.A.
	COMMENTS:

MENCOM CORPORATION		
TITLE:		
SIZE <b>B</b>	DWG. NO. <b>T35-DB09MF-TB-MC</b>	REV <b>A</b>
SCALE: 1:1	WEIGHT:	SHEET 1 OF 1