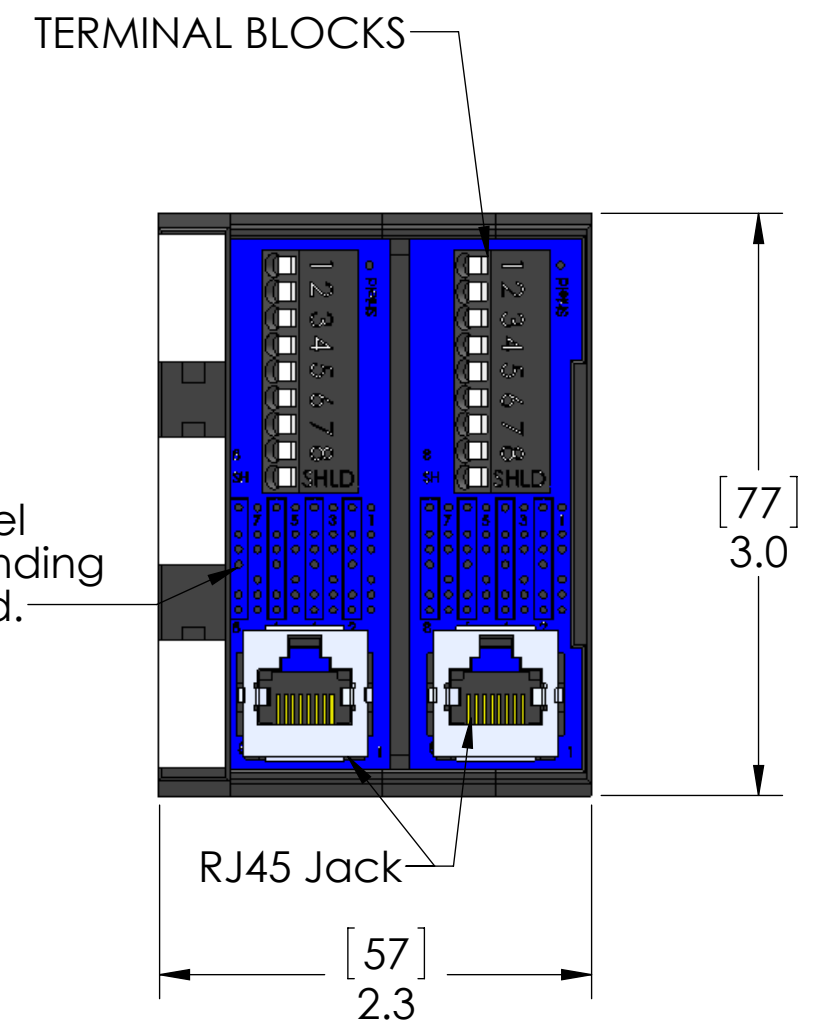
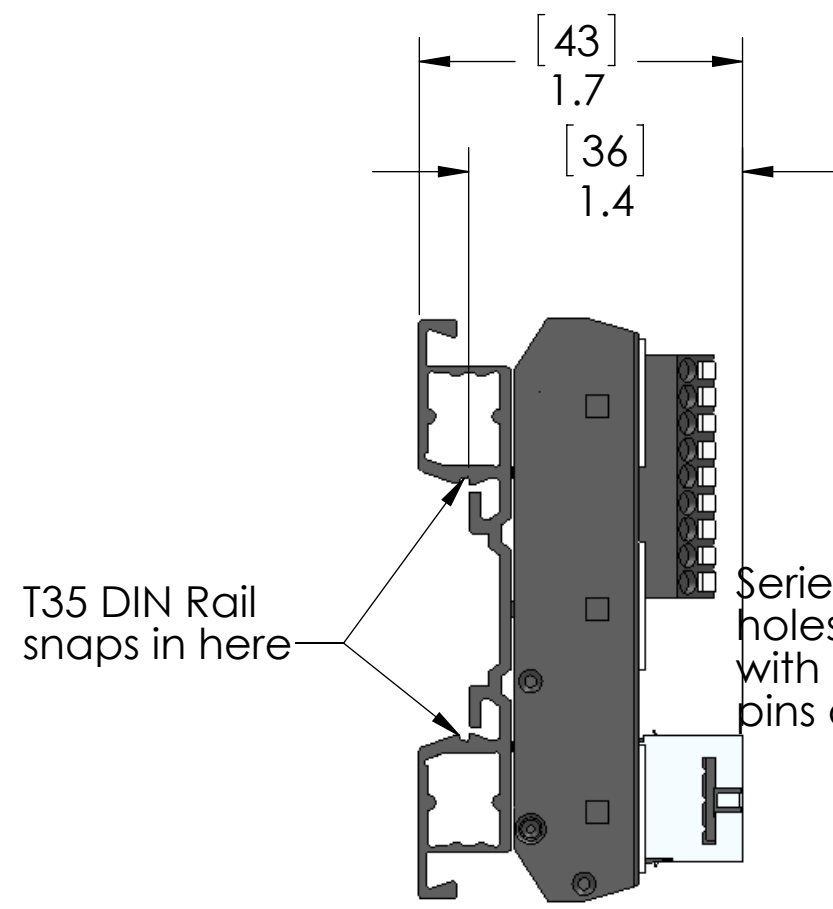
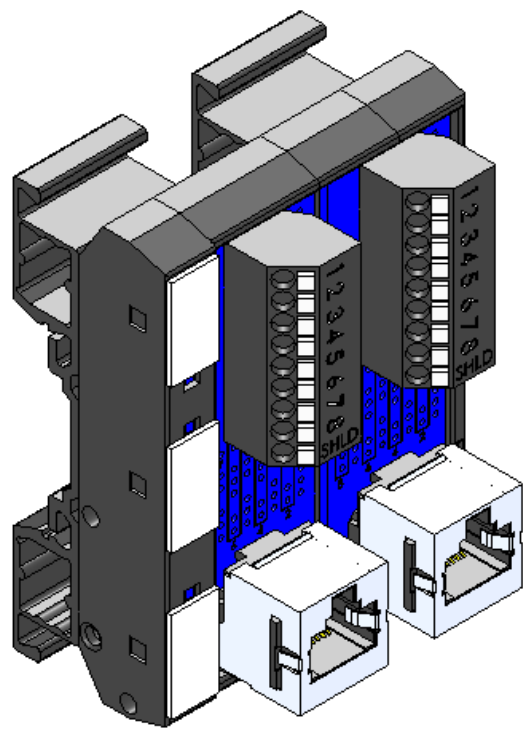


WIRING	
RJ45 JACK	TERMINAL BLOCK
1	1
2	2
3	3
4	4
5	5
6	6
7	7
8	8
SHIELD	SHIELD



REVISIONS			
REV.	DESCRIPTION	DATE	APPROVED
X	PRELIM	11/12/2015	

MATERIALS:	
BODY:	BLACK NYLON

PROPRIETARY AND CONFIDENTIAL
 THE INFORMATION CONTAINED IN THIS DRAWING IS THE SOLE PROPERTY OF MENCOM CORPORATION. ANY REPRODUCTION IN PART OR AS A WHOLE WITHOUT THE WRITTEN PERMISSION OF MENCOM CORPORATION IS PROHIBITED.

UNLESS OTHERWISE SPECIFIED: DIMENSIONS ARE IN INCHES AND [MM]	NAME DRAWN CHECKED ENG APPR. MFG APPR. Q.A. COMMENTS:	J J H
INTERPRET GEOMETRIC TOLERANCING PER: MATERIAL FINISH		
APPLICATION	DO NOT SCALE DRAWING	

MENCOM CORPORATION		
TITLE:		
SIZE B	DWG. NO. T35-2RJ45-2TBS-MC	REV X
SCALE: 1:1	WEIGHT:	SHEET 1 OF 1