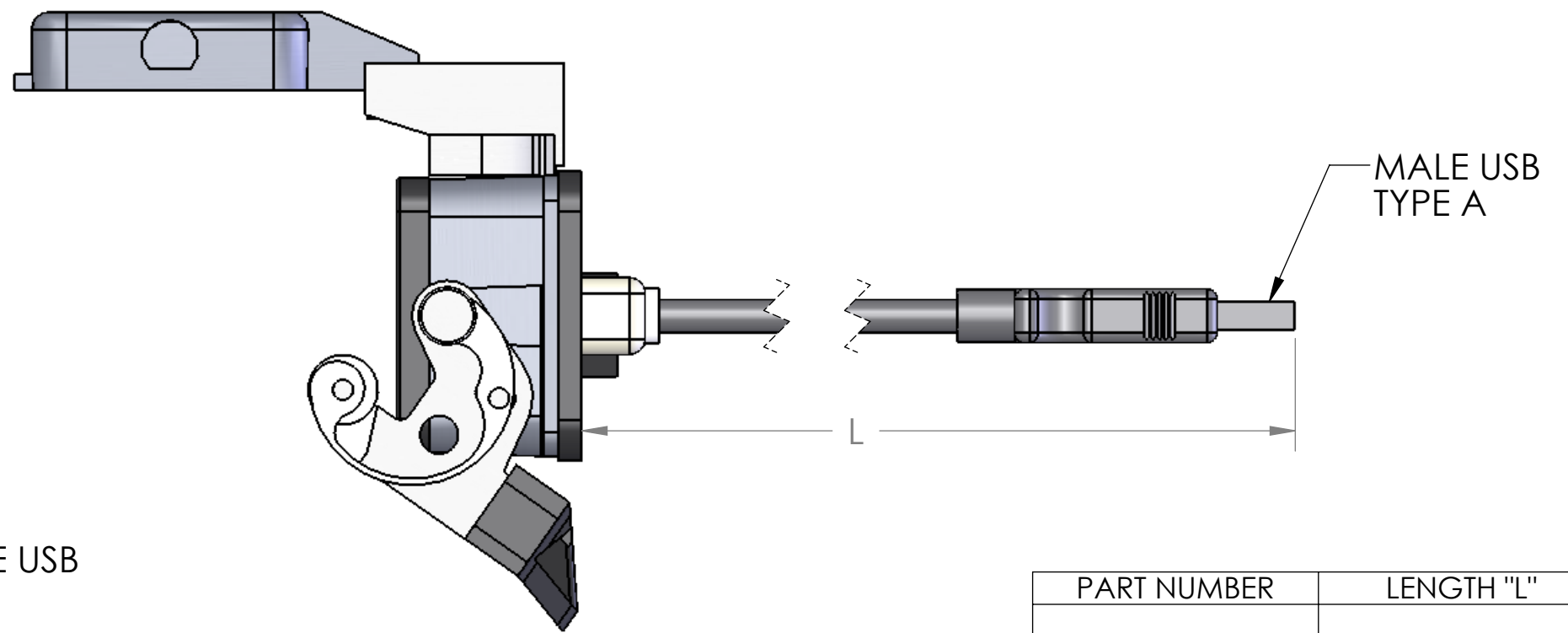
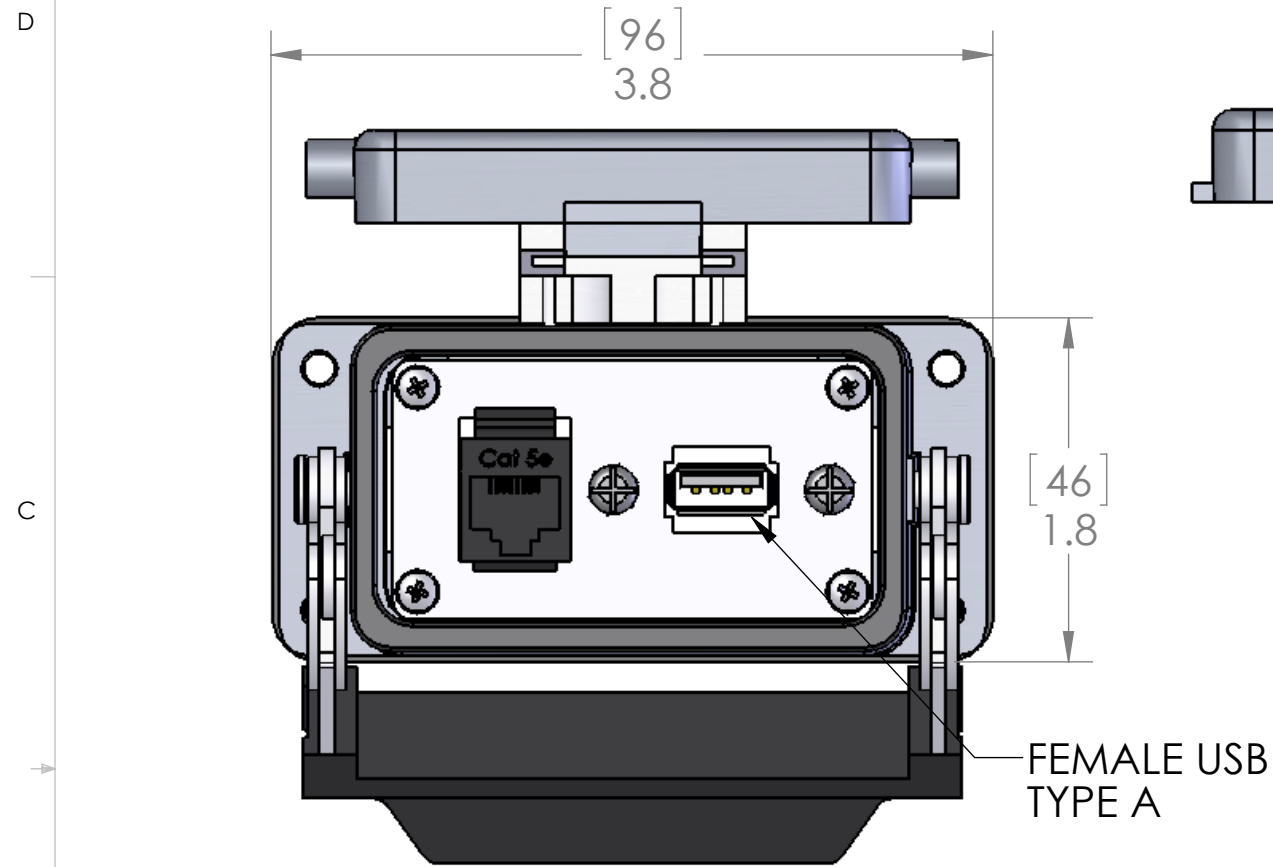
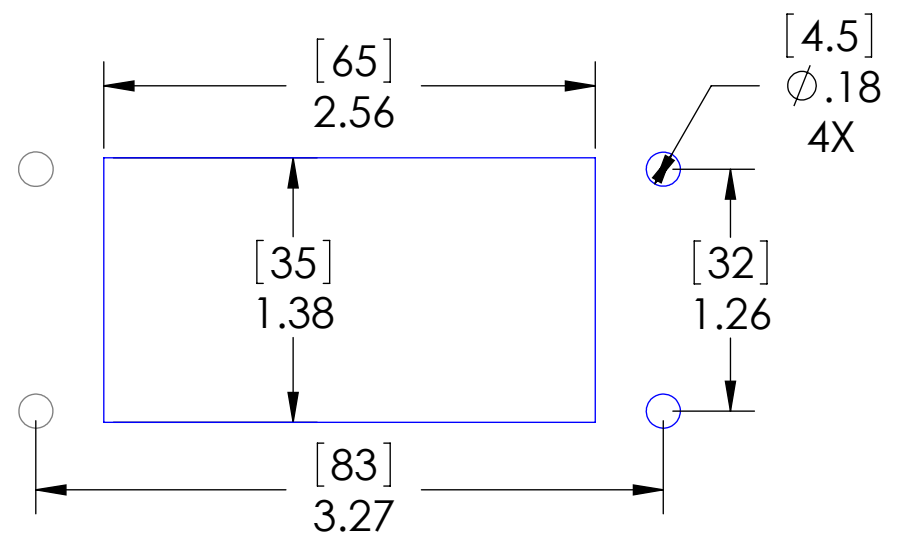


REVISIONS			
REV.	DESCRIPTION	DATE	APPROVED
A	REDRAWN IN SW	3/21/2005	BEM
B	CORRECTED PANEL CUTOUT	11/16/2010	
C	ADD APPROVALS TO PRINT	2/20/2012	CAM



PART NUMBER	LENGTH "L"
RJ45-USB-03-10LS	3 FEET
RJ45-USB-06-10LS	6 FEET
RJ45-USB-10-10LS	10 FEET

PANEL CUTOUT



HOUSING MATERIALS	
BODY:	EPOXY COATED DIE CAST ALUMINUM
GASKET:	THERMOPLASTIC ELASTOMER
HANDLE:	POLYAMIDE
LEVERS:	STAINLESS STEEL

APPROVALS	
US	UL RECOGNIZED
CANADA	C-UL RECOGNIZED

PIC RATINGS	
NEMA/UL:	4, 4X, 12

PROPRIETARY AND CONFIDENTIAL
 THE INFORMATION CONTAINED IN THIS DRAWING IS THE SOLE PROPERTY OF MENCOM CORPORATION. ANY REPRODUCTION IN PART OR AS A WHOLE WITHOUT THE WRITTEN PERMISSION OF MENCOM CORPORATION IS PROHIBITED.

UNLESS OTHERWISE SPECIFIED:
 DIMENSIONS ARE IN INCHES & [MM]
 MATERIAL
 FINISH
 DO NOT SCALE DRAWING

	NAME
DRAWN	CAM
CHECKED	
ENG APPR.	
MFG APPR.	
Q.A.	

TITLE: **MENCOM CORPORATION**

STANDARD CONFIGURATIONS UNLESS OTHERWISE NOTED		
CONN. TYPE	EXTERIOR	INTERIOR
RJ45	CAT 5 JACK	CAT 5 JACK

SIZE B	DWG. NO. RJ45-USB-ZZ-10LS	REV C
SCALE: 1:1	WEIGHT:	SHEET 1 OF 1