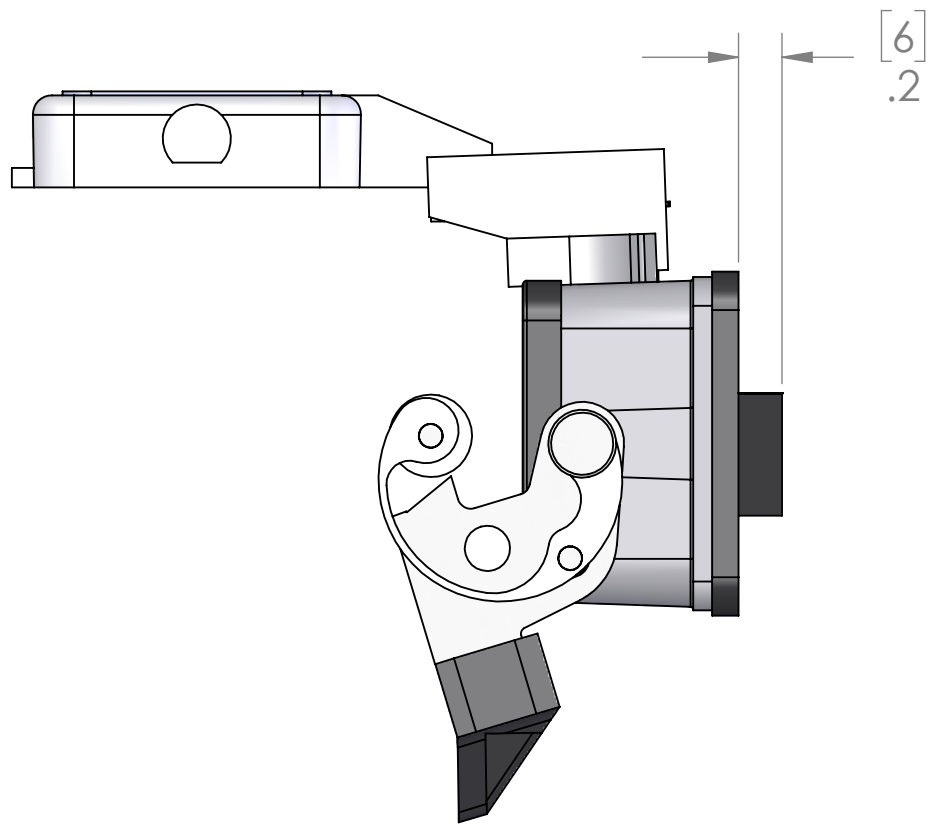
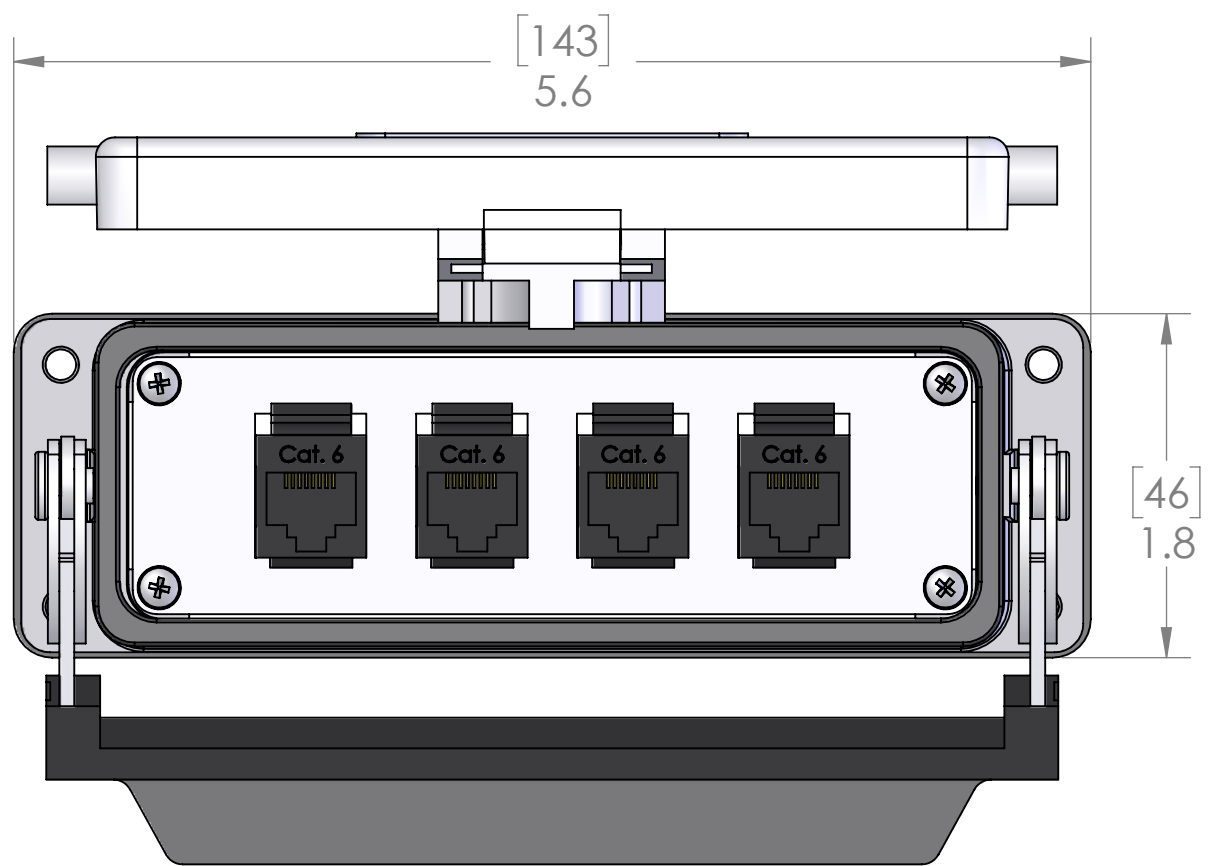
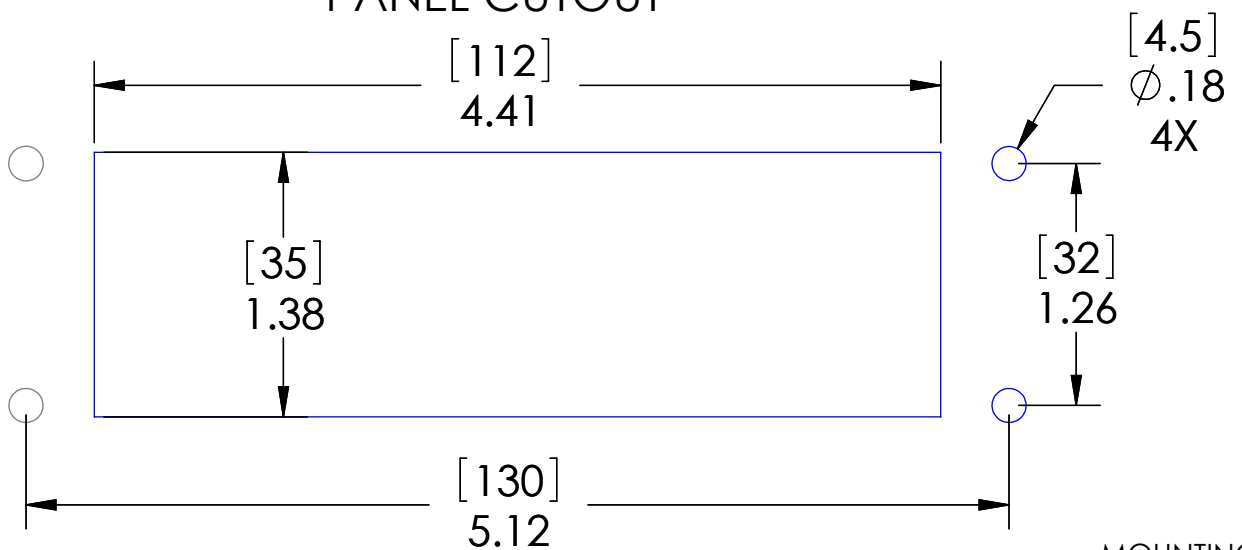


8 7 6 5 4 3 2 1



PANEL CUTOUT



These devices shall be mounted on enclosures having adequate strength and thickness and with adequate spacing provided. Seal rating is based on mounting to a surface that is clean, flat and smooth.

HOUSING MATERIALS		PIC RATINGS/SPECIFICATIONS	
BODY:	EPOXY COATED DIE CAST ALUMINUM	NEMA/UL   EN 60529:	4, 4X, 12   IP65
GASKET:	THERMOPLASTIC ELASTOMER	MOUNTING SCREW SIZE:	M4 (8-32) (304 or 316SS for 4X)
HANDLE:	POLYAMIDE	MOUNTING SCREW TORQUE:	1.2~1.8N-m (0.9~1.3 Lb-Ft)
LEVERS:	STAINLESS STEEL		

MOUNTING KIT ORDERED SEPARATELY CONTAINS M4x0.7 SS SCREW, NYLON WASHER, SPLIT LOCKWASHER AND M4 NUT  
**P/N: D-PIC-MT**



UNLESS OTHERWISE SPECIFIED:

DRAWN BY	DCG
DRAWN DATE	02/25/2019
CHECKED BY	GO
CHECK DATE	02/26/2019
COMMENTS:	

DIMENSIONS ARE IN INCHES AND [MM]

MATERIAL	
FINISH	
DO NOT SCALE DRAWING	

<b>MENCOM CORPORATION</b>		
TITLE: <b>RJ45 X 4; 24</b>		
SIZE <b>B</b>	DWG. NO. <b>RJ45-4-24LS</b>	REV <b>D</b>
SCALE: 1:1	WEIGHT:	SHEET 1 OF 1

STANDARD CONFIGURATIONS UNLESS OTHERWISE NOTED

CONN. TYPE	EXTERIOR	INTERIOR
RJ45	CAT. 6 JACK	CAT. 6 JACK

**PROPRIETARY AND CONFIDENTIAL**  
 THE INFORMATION CONTAINED IN THIS DRAWING IS THE SOLE PROPERTY OF MENCOM CORPORATION. ANY REPRODUCTION IN PART OR AS A WHOLE WITHOUT THE WRITTEN PERMISSION OF MENCOM CORPORATION IS PROHIBITED.

8 7 6 5 4 3 2 1