

PIN #	COLOR
1	BLACK
2	GREEN / YELLOW
3	RED
4	WHITE

DEVICE IS INTENDED TO BE WIRED WITH CONDUCTORS RATED AT 75°C OR HIGHER

D

D

C

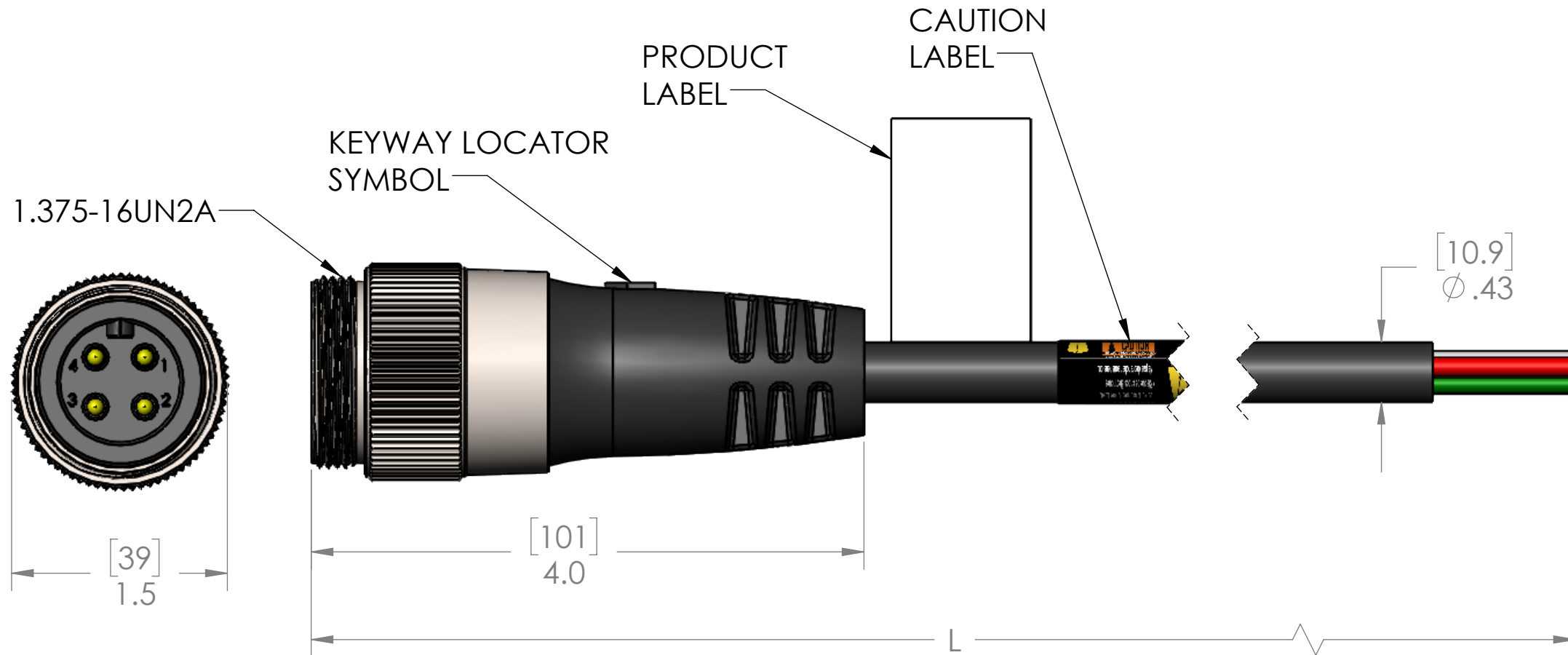
C

B

B

A

A



<b>MATERIALS</b>	
<b>BODY:</b>	BLACK PVC
<b>CONTACTS:</b>	GOLD PLATED COPPER ALLOY
<b>CABLE:</b>	
<b>STYLE:</b>	TC-ER
<b>AWG:</b>	12 AWG
<b>JACKET:</b>	BLACK TPE
<b>VOLTAGE:</b>	600V
<b>SHIELD:</b>	NO
<b>COUPLING:</b>	NICKEL PLATED BRASS
<b>INSERT:</b>	BLACK PVC
<b>RATINGS</b>	
<b>SCCR RATING:</b>	65 kA Breakers and Fuses
<b>RoHS COMPLIANT:</b>	YES
<b>PROTECTION:</b>	IEC IP67
<b>UL CATEGORY:</b>	PVVA (US), PVVA7 (Canada)
<b>U.S.:</b>	UL 2237 LISTED, File E469485
<b>CANADA:</b>	C-UL 2237 LISTED, File E469485

PMINW-42MP-1M-C011	40" [1m]	YES
PMINW-42MP-2M-C011	79" [2m]	YES
PMINW-42MP-3M-C011	117" [3m]	NO
PMINW-42MP-4M-C011	157" [4m]	NO
PMINW-42MP-5M-C011	197" [5m]	YES
PMINW-42MP-6M-C011	236" [6m]	NO
PMINW-42MP-8M-C011	315" [8m]	NO
PMINW-42MP-10M-C011	393" [10m]	YES
PMINW-42MP-15M-C011	590" [15M]	YES
PMINW-42MP-20M-C011	787" [20M]	NO

PARTS LISTED AS NOT BEING STANDARD MAY REQUIRE MINIMUM ORDERS OTHER LENGTHS AVAILABLE, PLEASE CONSULT FACTORY

**CAUTION:**  
RISK OF ELECTRICAL SHOCK  
DO NOT DISCONNECT UNDER LOAD

**PROPRIETARY AND CONFIDENTIAL**  
THE INFORMATION CONTAINED IN THIS DRAWING IS THE SOLE PROPERTY OF MENCOM CORPORATION. ANY REPRODUCTION IN PART OR AS A WHOLE WITHOUT THE WRITTEN PERMISSION OF MENCOM CORPORATION IS PROHIBITED.

<b>VOLTS</b>	600V
<b>AMPS</b>	30A
<b>TEMP:</b>	-40° to 90°C

UNLESS OTHERWISE SPECIFIED: DIMENSIONS ARE IN INCHES AND [MM]	DRAWN BY	ADM
	DRAWN DATE	02/21/2024
	CHECKED BY	JJH
	CHECK DATE	02/21/2024
COMMENTS:		
MATERIAL		
FINISH		
DO NOT SCALE DRAWING		

MENCOM CORPORATION		
TITLE: 4 PL MAL PLG PMIN 12AWG		
SIZE	DWG. NO.	REV
<b>B</b>	PMINW-42MP-ZZ-C011	<b>C</b>
SCALE: 1:1	WEIGHT:	SHEET 1 OF 1

8

7

6

5

4

3

2

1