

PIN #	COLOR
1	BLACK
2	GREEN / YELLOW
3	WHITE

DEVICE IS INTENDED TO BE WIRED WITH CONDUCTORS RATED AT 75°C OR HIGHER

D

D

C

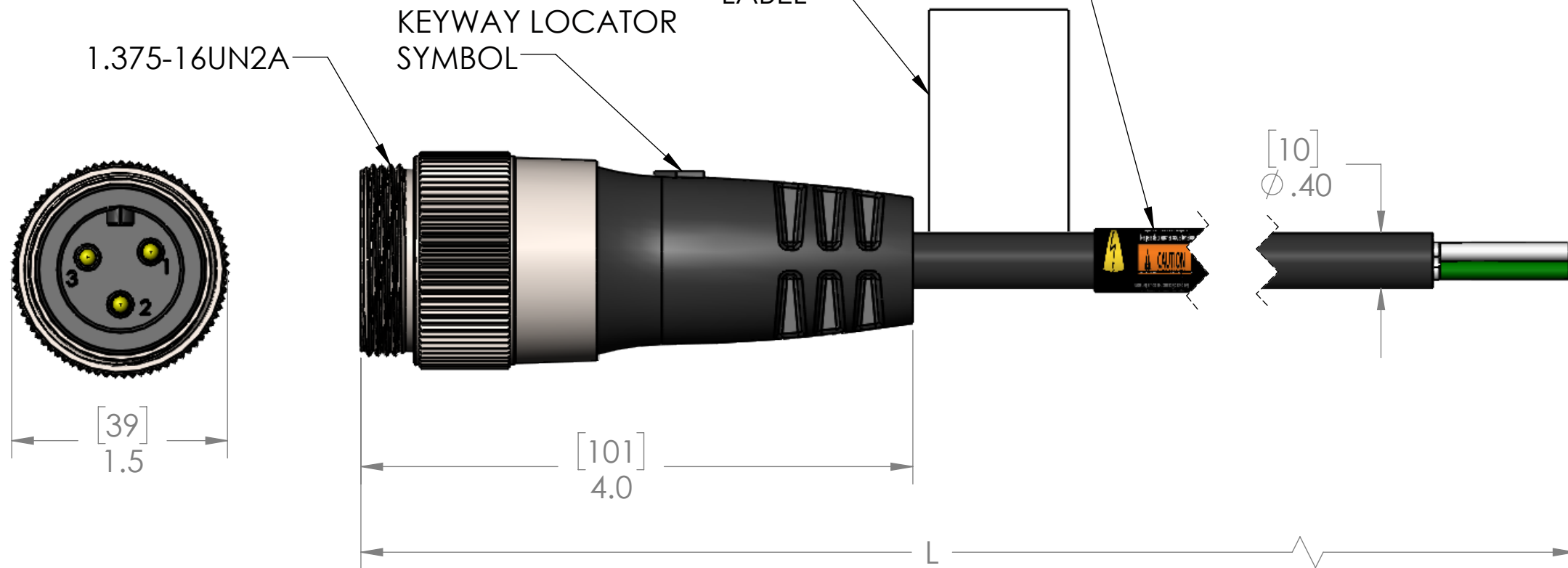
C

B

B

A

A



MATERIALS	
BODY:	BLACK PVC
CONTACTS:	GOLD PLATED COPPER ALLOY
CABLE:	
STYLE:	TC-ER
AWG:	12 AWG
JACKET:	BLACK TPE
VOLTAGE:	600V
SHIELD:	NO
COUPLING:	NICKEL PLATED BRASS
INSERT:	BLACK PVC
RATINGS	
SCCR RATING:	65 kA Breakers and Fuses
RoHS COMPLIANT:	YES
PROTECTION:	IEC IP67
UL CATEGORY:	PVVA (US), PVVA7 (Canada)
U.S.:	UL 2237 LISTED, File E469485
CANADA:	C-UL 2237 LISTED, File E469485

P/N	L	STD?
PMINW-32MP-1M-C011	40" [1m]	YES
PMINW-32MP-2M-C011	79" [2m]	YES
PMINW-32MP-3M-C011	117" [3m]	NO
PMINW-32MP-4M-C011	157" [4m]	NO
PMINW-32MP-5M-C011	197" [5m]	YES
PMINW-32MP-6M-C011	236" [6m]	NO
PMINW-32MP-8M-C011	315" [8m]	NO
PMINW-32MP-10M-C011	393" [10m]	YES
PMINW-32MP-15M-C011	590" [15M]	YES
PMINW-32MP-20M-C011	787" [20M]	NO

PARTS LISTED AS NOT BEING STANDARD MAY REQUIRE MINIMUM ORDERS OTHER LENGTHS AVAILABLE, PLEASE CONSULT FACTORY

CAUTION:
RISK OF ELECTRICAL SHOCK
DO NOT DISCONNECT UNDER LOAD

PROPRIETARY AND CONFIDENTIAL
THE INFORMATION CONTAINED IN THIS DRAWING IS THE SOLE PROPERTY OF MENCOM CORPORATION. ANY REPRODUCTION IN PART OR AS A WHOLE WITHOUT THE WRITTEN PERMISSION OF MENCOM CORPORATION IS PROHIBITED.

VOLTS	600V
AMPS	35A
TEMP:	-40° to 90°C

UNLESS OTHERWISE SPECIFIED:	DRAWN BY	ADM
DIMENSIONS ARE IN INCHES AND [MM]	DRAWN DATE	02/20/2024
	CHECKED BY	JJH
	CHECK DATE	02/20/2024
MATERIAL	COMMENTS:	
FINISH		
DO NOT SCALE DRAWING		

MENCOM CORPORATION		
TITLE: 3 PL MAL PLG PMIN 12AWG		
SIZE B	DWG. NO. PMINW-32MP-ZZ-C011	REV C
SCALE: 1:1	WEIGHT:	SHEET 1 OF 1