

MALE	WIRING	FEMALE
PIN #		PIN #
1	-----	1
2	-----	2
3	-----	3

DEVICE IS INTENDED TO BE WIRED WITH CONDUCTORS RATED AT 75°C OR HIGHER

D

D

C

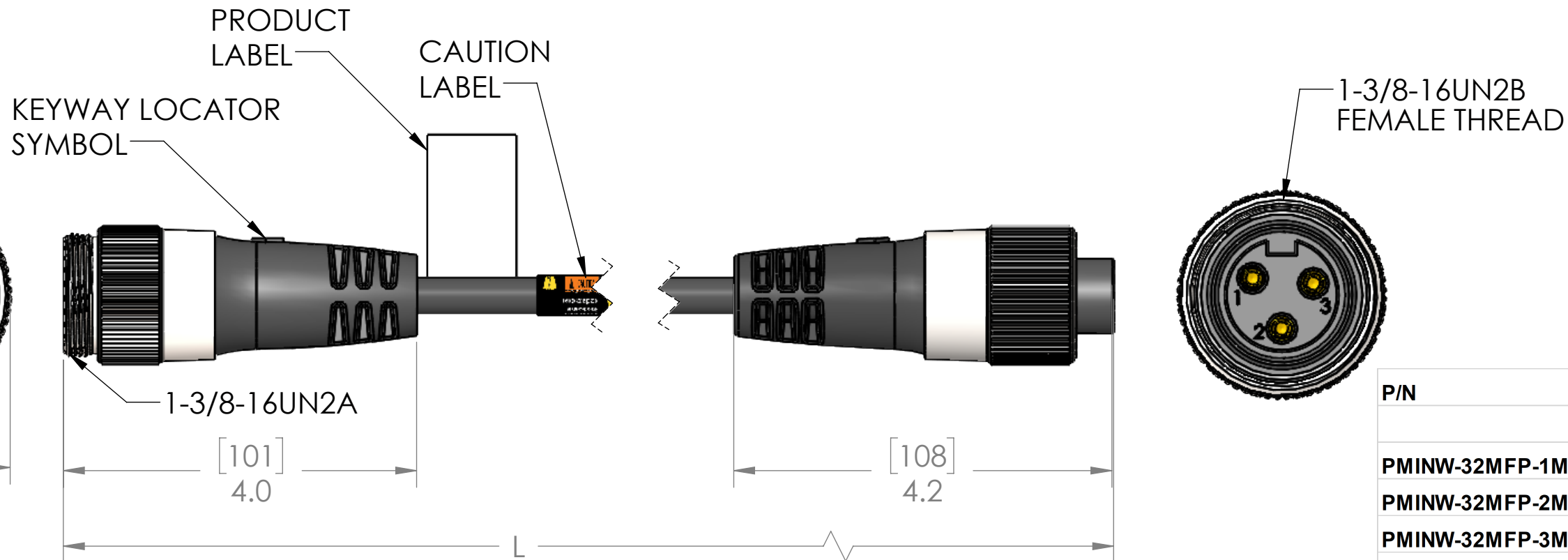
C

B

B

A

A



MATERIALS	
BODY:	BLACK PVC
CONTACTS:	GOLD PLATED COPPER ALLOY
CABLE:	
STYLE:	TC-ER
AWG:	12 AWG
JACKET:	BLACK TPE
VOLTAGE:	600V
SHIELD:	NO
COUPLING:	NICKEL PLATED BRASS
INSERT:	BLACK PVC
RATINGS	
SCCR RATING:	65 kA Breakers and Fuses
RoHS COMPLIANT:	YES
PROTECTION:	IEC IP67
UL CATEGORY:	PVVA (US), PVVA7 (Canada)
U.S.:	UL 2237 LISTED, File E469485
CANADA:	C-UL 2237 LISTED, File E469485

⚠ CAUTION:
RISK OF ELECTRICAL SHOCK
DO NOT DISCONNECT UNDER LOAD

P/N	L	STD?
PMINW-32MFP-1M-C011	40" [1m]	YES
PMINW-32MFP-2M-C011	79" [2m]	YES
PMINW-32MFP-3M-C011	117" [3m]	NO
PMINW-32MFP-4M-C011	157" [4m]	NO
PMINW-32MFP-5M-C011	197" [5m]	YES
PMINW-32MFP-6M-C011	236" [6m]	NO
PMINW-32MFP-8M-C011	315" [8m]	NO
PMINW-32MFP-10M-C011	393" [10m]	YES
PMINW-32MFP-15M-C011	590" [15M]	YES

PARTS LISTED AS NOT BEING STANDARD
MAY REQUIRE MINIMUM ORDERS
OTHER LENGTHS AVAILABLE,
PLEASE CONSULT FACTORY

UNLESS OTHERWISE SPECIFIED: DIMENSIONS ARE IN INCHES AND [MM]	DRAWN BY	ADM
	DRAWN DATE	02/20/2024
	CHECKED BY	JJH
	CHECK DATE	02/20/2024
COMMENTS:		
MATERIAL		
FINISH		
DO NOT SCALE DRAWING		

MENCOM CORPORATION		
TITLE: 3 PL M-F EXT PLG PMIN 12AWG TPE		
SIZE	DWG. NO.	REV
B	PMINW-32MFP-ZZ-C011	C
SCALE: 1:1.5	WEIGHT:	SHEET 1 OF 1

PROPRIETARY AND CONFIDENTIAL
THE INFORMATION CONTAINED IN THIS DRAWING IS THE SOLE PROPERTY OF MENCOM CORPORATION. ANY REPRODUCTION IN PART OR AS A WHOLE WITHOUT THE WRITTEN PERMISSION OF MENCOM CORPORATION IS PROHIBITED.

VOLTS	600V
AMPS	35A
TEMP:	-40° to 90°C

8

7

6

5

4

3

2

1