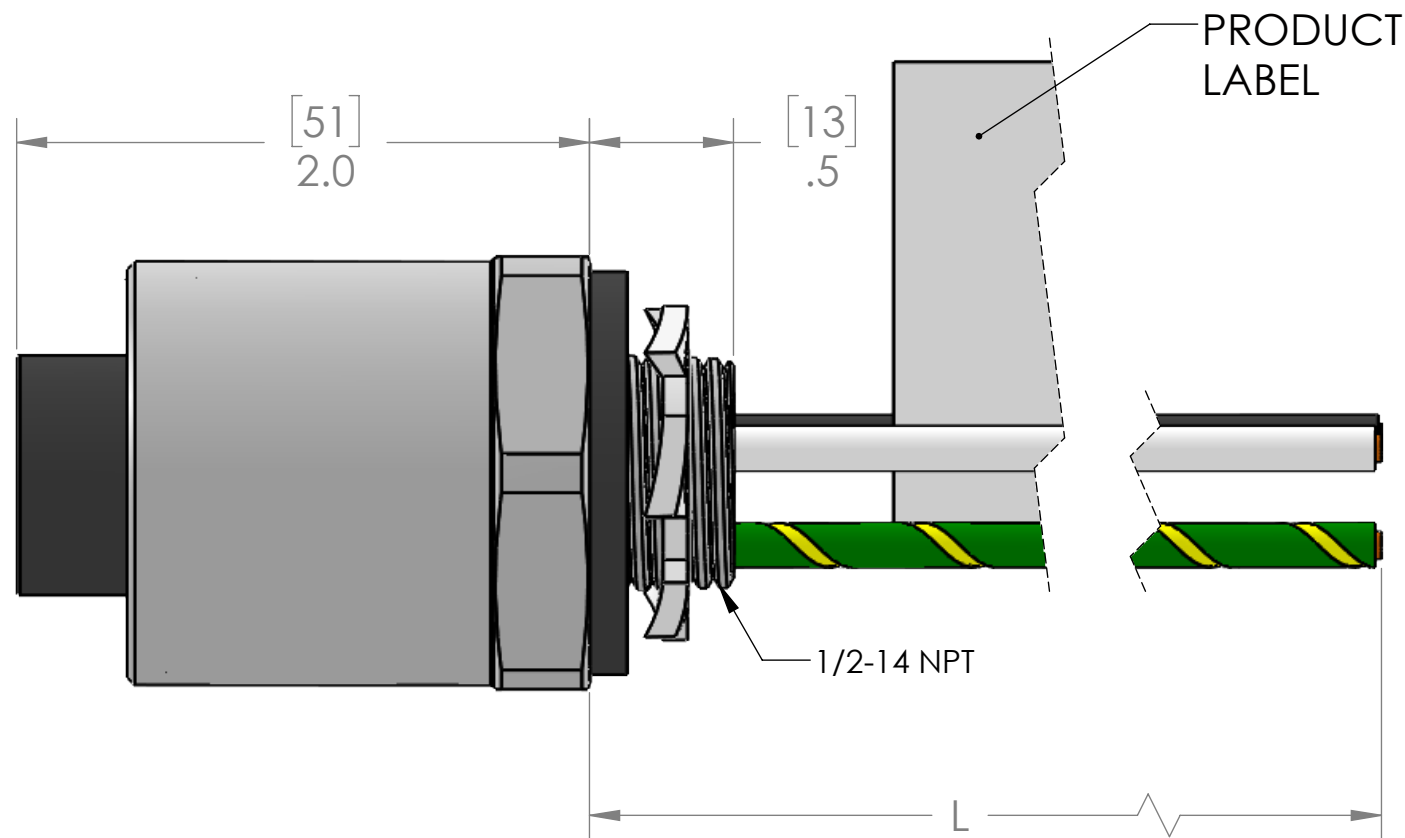
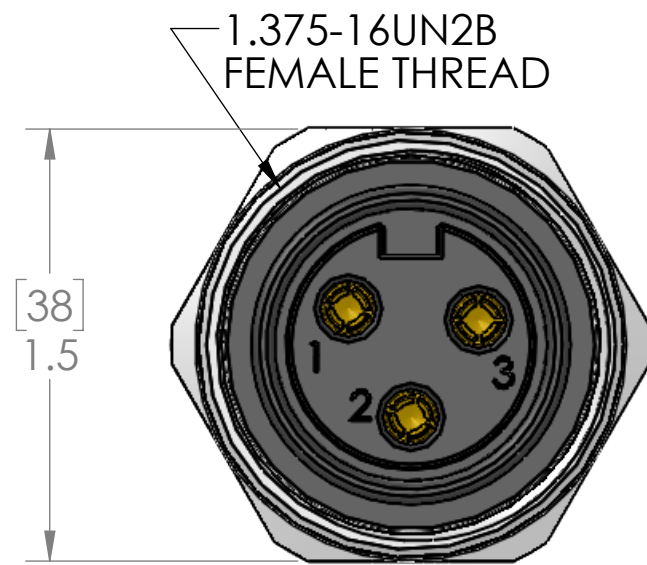


PIN #	COLOR
1	BLACK
2	GREEN/YELLOW
3	WHITE

DEVICE IS INTENDED TO BE WIRED WITH CONDUCTORS RATED AT 75°C OR HIGHER



P/N	L
PMIN-32FR-0.3M	12" [0.3m]
PMIN-32FR-0.5M	20" [0.5m]
PMIN-32FR-1M	40" [1m]
PMIN-32FR-2M	79" [2m]
PMIN-32FR-3M	117" [3m]
PMIN-32FR-4M	157" [4m]
PMIN-32FR-5M	197" [5m]
PMIN-32FR-6M	236" [6m]
PMIN-32FR-8M	315" [8m]
PMIN-32FR-10M	393" [10m]

CAUTION:
RISK OF ELECTRICAL SHOCK
DO NOT DISCONNECT UNDER LOAD

MATERIALS	
SHELL:	NICKEL PLATED BRASS
CONTACTS:	GOLD PLATED COPPER ALLOY
WIRE:	
STYLE:	UL 1015
AWG:	12 AWG
JACKET:	PVC
VOLTAGE:	600V
INSERT:	BLACK PVC
GASKET:	BLACK TPE
NUT:	ZINC PLATED STEEL

RATINGS	
SCCR RATING:	65 kA Breakers and Fuses
RoHS COMPLIANT:	YES
PROTECTION:	IEC IP67
UL CATEGORY:	PVVA (US), PVVA7 (Canada)
U.S.:	UL 2237 LISTED, File E469485
CANADA:	C-UL 2237 LISTED, File E469485

PROPRIETARY AND CONFIDENTIAL
THE INFORMATION CONTAINED IN THIS DRAWING IS THE SOLE PROPERTY OF MENCOM CORPORATION. ANY REPRODUCTION IN PART OR AS A WHOLE WITHOUT THE WRITTEN PERMISSION OF MENCOM CORPORATION IS PROHIBITED.

VOLTS	600V
AMPS	35A
TEMP:	-40°C TO 90°C

UNLESS OTHERWISE SPECIFIED:	DRAWN BY	ADM
DIMENSIONS ARE IN INCHES AND [MM]	DRAWN DATE	02/16/2024
	CHECKED BY	JJH
	CHECK DATE	02/16/2024
COMMENTS:		
MATERIAL		
FINISH		
DO NOT SCALE DRAWING		

OTHER LENGTHS AVAILABLE CONSULT FACTORY		
MENCOM CORPORATION		
TITLE: 3 PL FEM PMIN RCP 1/2 NPT		
SIZE	DWG. NO.	REV
B	PMIN-32FR-ZZ	C
SCALE: 3:2	WEIGHT:	SHEET 1 OF 1