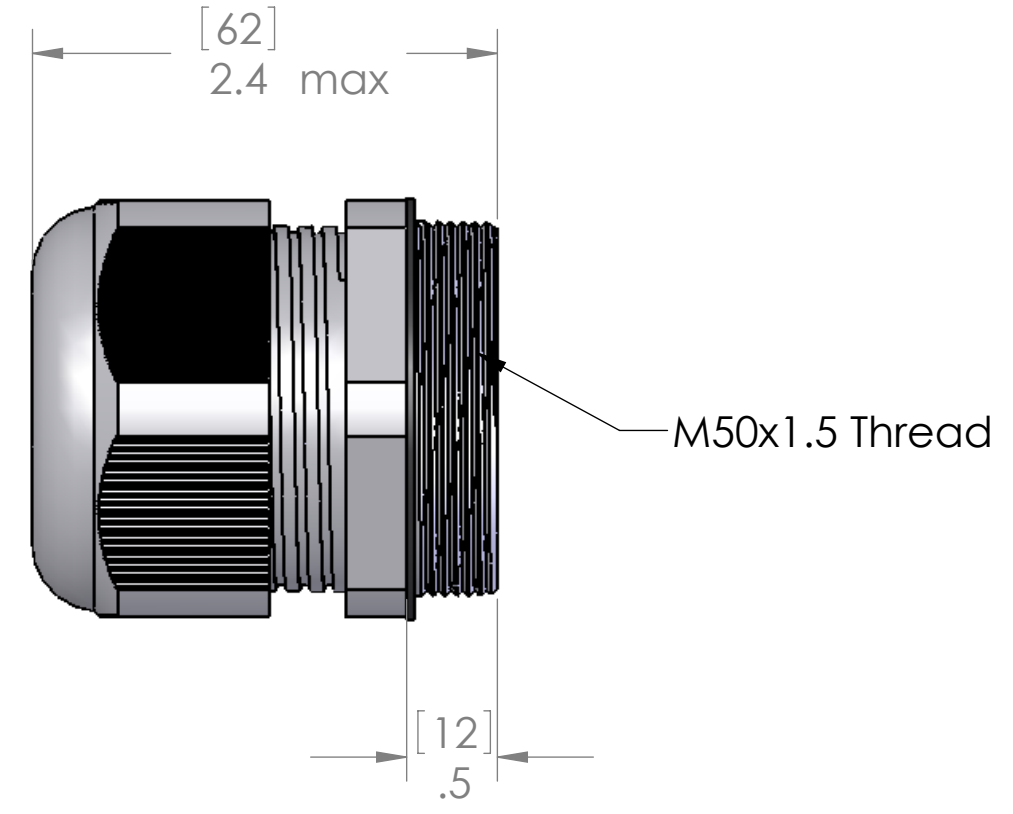
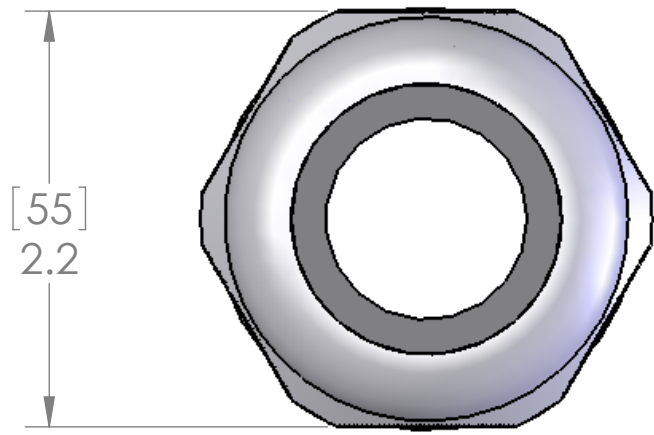


REVISIONS		
REV.	DESCRIPTION	DATE
A	REDRAWN IN SW	5/8/2007



MATERIALS	
BODY:	GRAY OR BLACK POLYAMIDE
GROMMET:	CR/NBR / OUTER PART TPE / INNER PART

SPECIFICATIONS:	
TIGHTENING TORQUE:	7.5 Nm
TEMPERATURE:	-20°C - +100°C

APPROVALS:	
US	UL RECOGNIZED
CANADA	C-UL RECOGNIZED

SEAL RATED TO: IP68

LOCK NUT INCLUDED BUT NOT SHOWN

PART NUMBER	COLOR	SEALING RANGE
PCGU-M50	GRAY	21-35mm
PCGU-M50-B	BLACK	21-35mm

PROPRIETARY AND CONFIDENTIAL
THE INFORMATION CONTAINED IN THIS DRAWING IS THE SOLE PROPERTY OF MENCOM CORPORATION. ANY REPRODUCTION IN PART OR AS A WHOLE WITHOUT THE WRITTEN PERMISSION OF MENCOM CORPORATION IS PROHIBITED.

UNLESS OTHERWISE SPECIFIED: DIMENSIONS ARE IN INCHES	DRAWN	NAME
	CHECKED	DWM
	ENG APPR.	
	MFG APPR.	
	Q.A.	
	COMMENTS:	
MATERIAL		
FINISH		

MENCOM CORPORATION		
TITLE: PLASTIC CABLE GLAND W/M50		
SIZE	DWG. NO.	REV
B	PCGU-M50	A
SCALE: 1:1	WEIGHT:	SHEET 1 OF 1

SPECIFICATIONS	DO NOT SCALE DRAWING