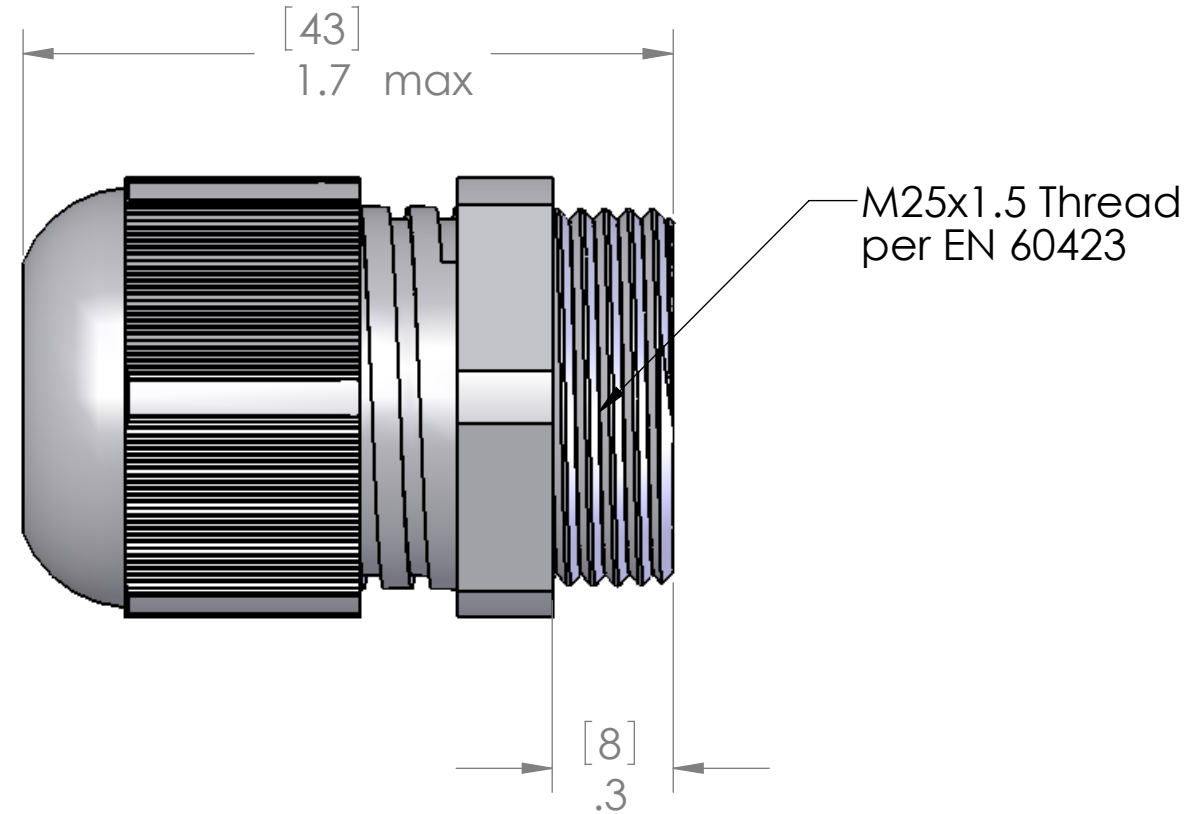
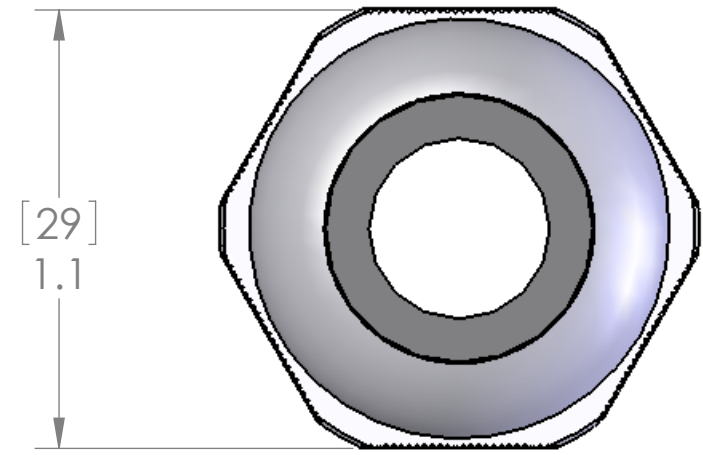


REVISIONS		
REV.	DESCRIPTION	DATE
A	REDRAWN IN SW	2/25/2005



PROPERTIES	
EQUIPMENT GROUP:	II
CATEGORY / ZONE	2G and 2D / 1, 2, 21, 22
TYPE OF PROTECTION:	Eex e , INCREASED SAFETY
PROTECTION GRADE:	IP66
CABLE INSTALLATION:	FIXED
TEST STANDARD:	EN 50014 / EN 50019
EC-TYPE CERTIFICATE:	PTB 99 ATEX 3128

MATERIALS	
BODY:	BLACK POLYAMIDE PA6
SEALS:	INNER: TPE OUTER: CR/NBR
DUST CAP:	POLYETHYLENE PE-LD

SPECIFICATIONS:	
TIGHTENING TORQUE:	5.0 Nm
TEMPERATURE:	-30°C - +70°C

PART NUMBER	COLOR	SEALING RANGE
PCGEX-M25-B	BLACK	8-17mm

PROPRIETARY AND CONFIDENTIAL
 THE INFORMATION CONTAINED IN THIS DRAWING IS THE SOLE PROPERTY OF MENCOM CORPORATION. ANY REPRODUCTION IN PART OR AS A WHOLE WITHOUT THE WRITTEN PERMISSION OF MENCOM CORPORATION IS PROHIBITED.

UNLESS OTHERWISE SPECIFIED: DIMENSIONS ARE IN INCHES AND [MM]	
MATERIAL	
FINISH	
SPECIFICATIONS	DO NOT SCALE DRAWING

NAME
DRAWN: BEM
CHECKED:
ENG APPR.:
MFG APPR.:
Q.A.:
COMMENTS:

MENCOM CORPORATION		
TITLE: PLASTIC CABLE GLAND M25		
SIZE: B	DWG. NO.: PCGEX-M25-B	REV: A
SCALE: 2:1	WEIGHT:	SHEET 1 OF 1