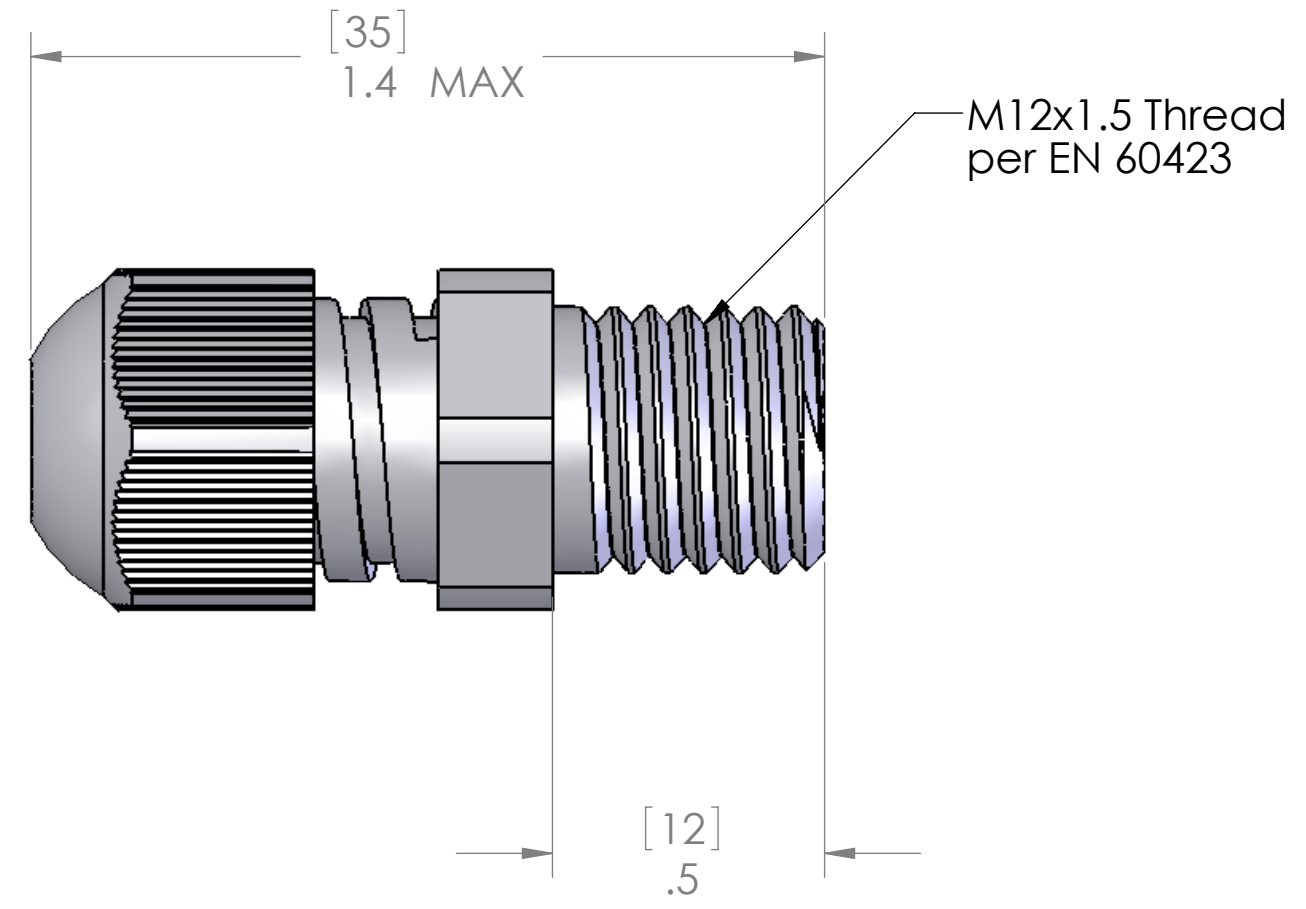
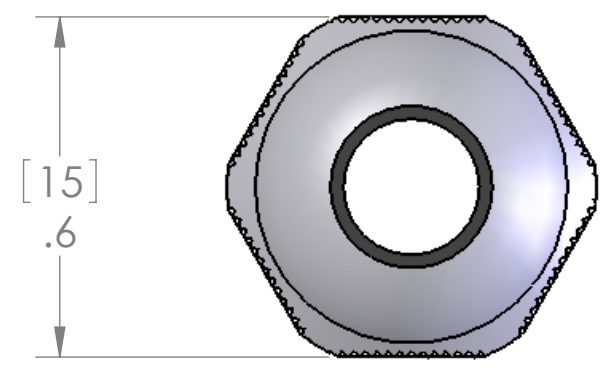


REVISIONS		
REV.	DESCRIPTION	DATE
A	REDRAWN IN SW	5/8/2007



PROPERTIES	
EQUIPMENT GROUP:	II
CATEGORY / ZONE	2G and 2D / 1, 2, 21, 22
TYPE OF PROTECTION:	Eex e , INCREASED SAFETY
PROTECTION GRADE:	IP66
CABLE INSTALLATION:	FIXED
TEST STANDARD:	EN 50014 / EN 50019
EC-TYPE CERTIFICATE:	PTB 99 ATEX 3101

MATERIALS	
BODY:	BLACK POLYAMIDE PA6
SEALS:	INNER: TPE OUTER: CR/NBR
DUST CAP:	POLYETHYLENE PE-LD

SPECIFICATIONS:	
TIGHTENING TORQUE:	0.7 Nm
TEMPERATURE:	-30°C - +70°C

PROPRIETARY AND CONFIDENTIAL
THE INFORMATION CONTAINED IN THIS DRAWING IS THE SOLE PROPERTY OF MENCOM CORPORATION. ANY REPRODUCTION IN PART OR AS A WHOLE WITHOUT THE WRITTEN PERMISSION OF MENCOM CORPORATION IS PROHIBITED.

PART NUMBER	COLOR	SEALING RANGE
PCGEX-M12L-B	BLACK	4-7mm

UNLESS OTHERWISE SPECIFIED: DIMENSIONS ARE IN INCHES	DRAWN	NAME	MENCOM CORPORATION
	CHECKED	DWM	
	ENG APPR.		
	MFG APPR.		
	Q.A.		
MATERIAL	COMMENTS:		TITLE:
FINISH			PLASTIC CABLE GLAND M12
			SIZE DWG. NO. REV
			B PCGEX-M12L-B A
			SCALE: 3:1 WEIGHT: SHEET 1 OF 1

SPECIFICATIONS	DO NOT SCALE DRAWING
----------------	----------------------