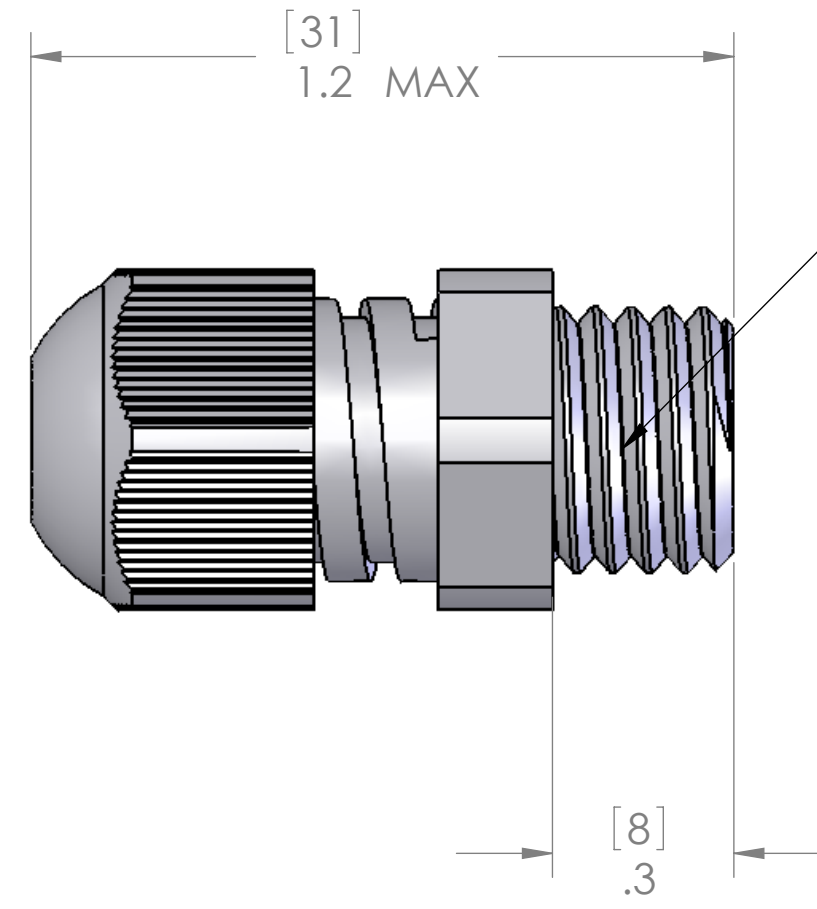
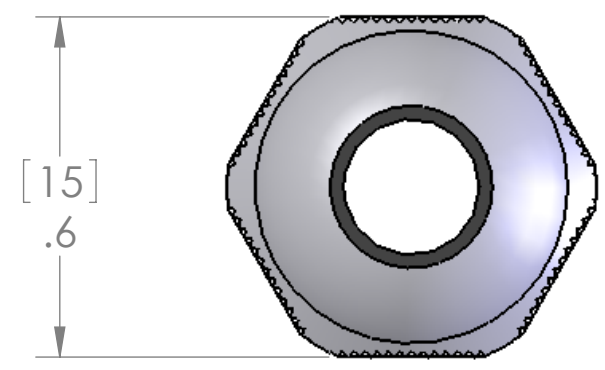


REVISIONS		
REV.	DESCRIPTION	DATE
A	REDRAWN IN SW	5/8/2007



M12x1.5 Thread
per EN 60423

PROPERTIES	
EQUIPMENT GROUP:	II
CATEGORY / ZONE	2G and 2D / 1, 2, 21, 22
TYPE OF PROTECTION:	Eex e , INCREASED SAFETY
PROTECTION GRADE:	IP66
CABLE INSTALLATION:	FIXED
TEST STANDARD:	EN 50014 / EN 50019
EC-TYPE CERTIFICATE:	PTB 99 ATEX 3101

MATERIALS	
BODY:	BLACK POLYAMIDE PA6
SEALS:	INNER: TPE OUTER: CR/NBR
DUST CAP:	POLYETHYLENE PE-LD

SPECIFICATIONS:	
TIGHTENING TORQUE:	0.7 Nm
TEMPERATURE:	-30°C - +70°C

PART NUMBER	COLOR	SEALING RANGE
PCGEX-M12-B	BLACK	4-7mm

UNLESS OTHERWISE SPECIFIED: DIMENSIONS ARE IN INCHES	DRAWN	NAME DWM
	CHECKED	
	ENG APPR.	
	MFG APPR.	
	Q.A.	
	COMMENTS:	
MATERIAL		
FINISH		

MENCOM CORPORATION		
TITLE: PLASTIC CABLE GLAND M12		
SIZE B	DWG. NO. PCGEX-M12-B	REV A
SCALE: 3:1	WEIGHT:	SHEET 1 OF 1

PROPRIETARY AND CONFIDENTIAL
THE INFORMATION CONTAINED IN THIS DRAWING IS THE SOLE PROPERTY OF MENCOM CORPORATION. ANY REPRODUCTION IN PART OR AS A WHOLE WITHOUT THE WRITTEN PERMISSION OF MENCOM CORPORATION IS PROHIBITED.

SPECIFICATIONS	DO NOT SCALE DRAWING
----------------	----------------------