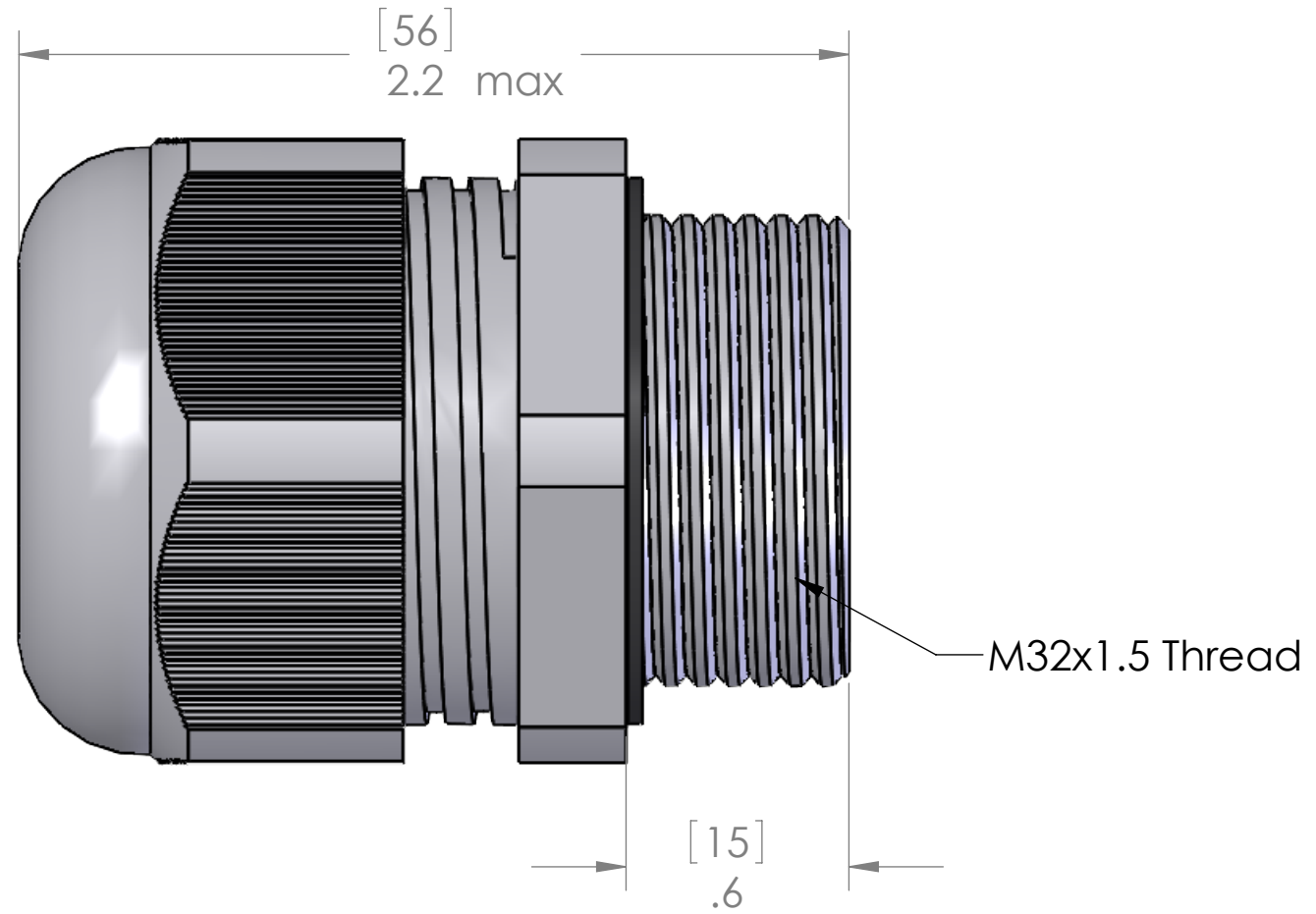
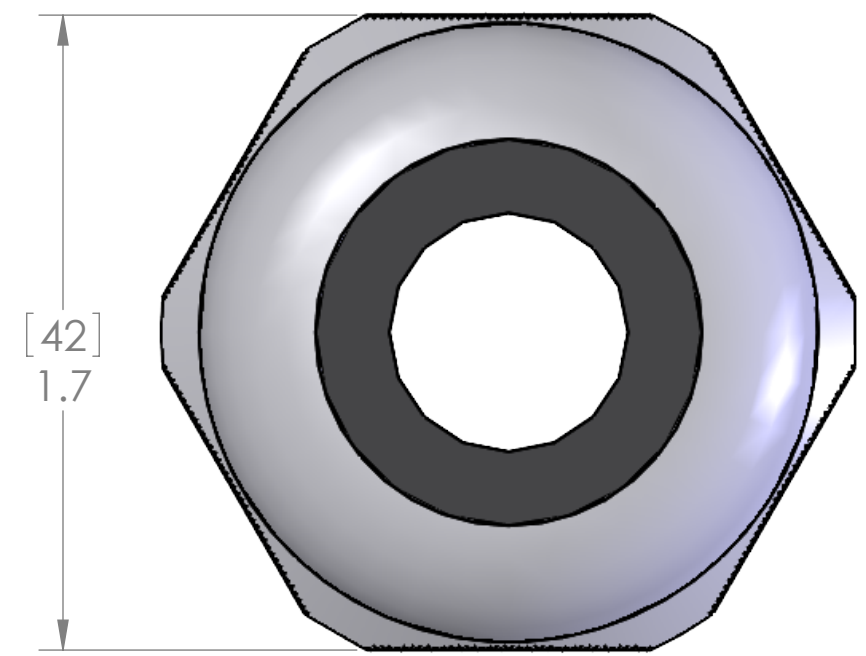


8 7 6 5 4 3 2 1

D
C
B
A

D
C
B
A



LOCK NUT INCLUDED BUT NOT SHOWN

SEAL RATED TO: IP68

MATERIALS	
BODY:	GRAY OR BLACK POLYAMIDE
GROMMET:	NBR & TPE
GASKET:	NBR

SPECIFICATIONS:	
TIGHTENING TORQUE:	7.5 Nm
TEMPERATURE:	-20°C - +100°C

APPROVALS:	
US	UL RECOGNIZED
CANADA	C-UL RECOGNIZED

PART NUMBER	COLOR	SEALING RANGE
PCG-M32L	GRAY	18-25mm
PCG-M32RL	GRAY	12-20mm
PCG-M32L-B	BLACK	18-25mm
PCG-M32RL-B	BLACK	12-20mm

UNLESS OTHERWISE SPECIFIED:	DRAWN BY	APR
DIMENSIONS ARE IN MM	DRAWN DATE	01/26/2022
TOLERANCES:	CHECKED BY	JJH
FRACTIONAL ±1/64	CHECK DATE	01/26/2022
ANGULAR: MACH ±3° BEND ±5°		
ONE PLACE DECIMAL ±.2		
TWO PLACE DECIMAL ±.1		

MATERIAL	COMMENTS:
FINISH	
DO NOT SCALE DRAWING	

MENCOM CORPORATION		
TITLE:		
SIZE	DWG. NO.	REV
B	PCG-M32L	A
SCALE: 2:1	WEIGHT:	SHEET 1 OF 1

PROPRIETARY AND CONFIDENTIAL
 THE INFORMATION CONTAINED IN THIS DRAWING IS THE SOLE PROPERTY OF MENCOM CORPORATION. ANY REPRODUCTION IN PART OR AS A WHOLE WITHOUT THE WRITTEN PERMISSION OF MENCOM CORPORATION IS PROHIBITED.

8 7 6 5 3 2 1