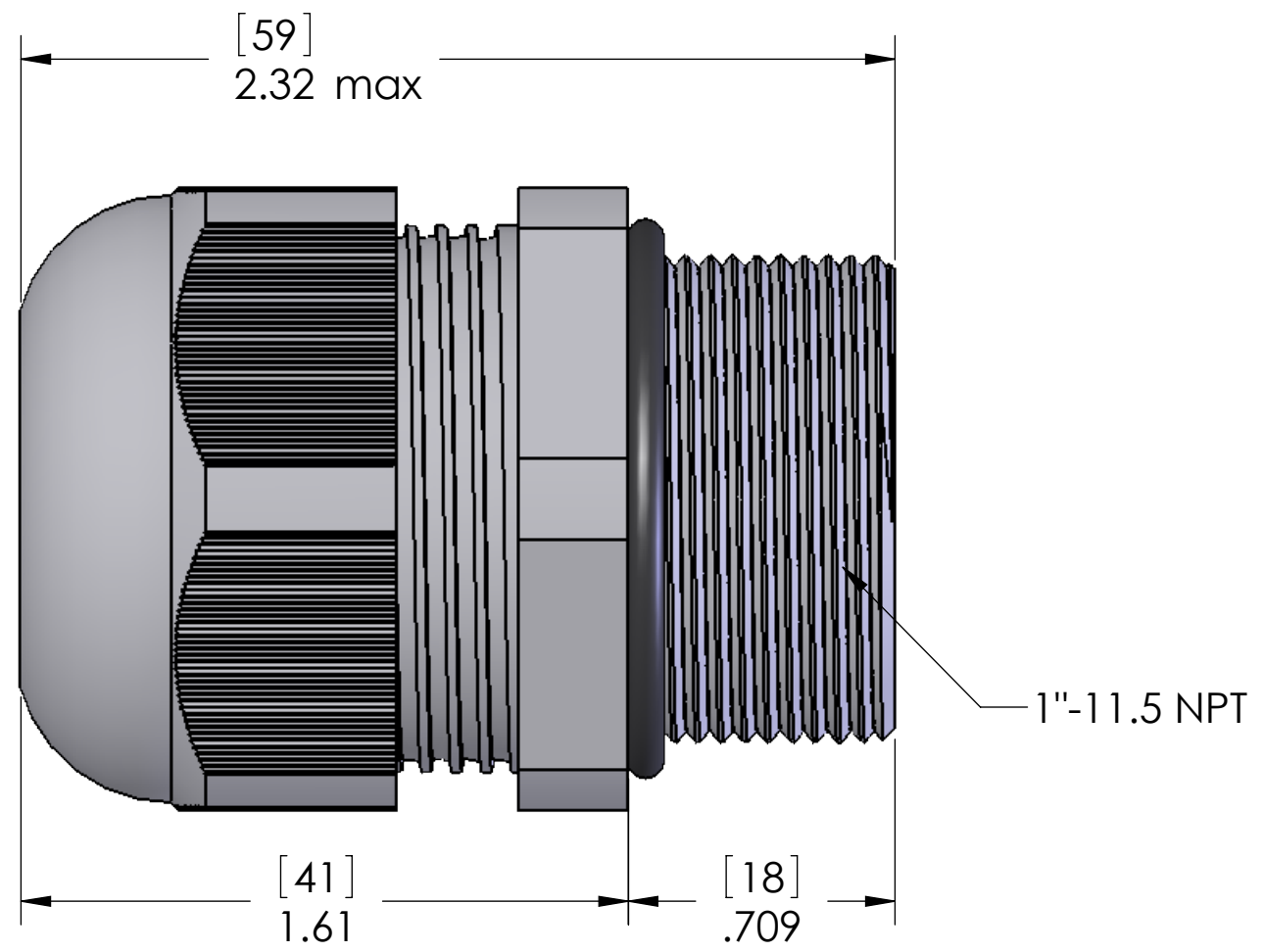
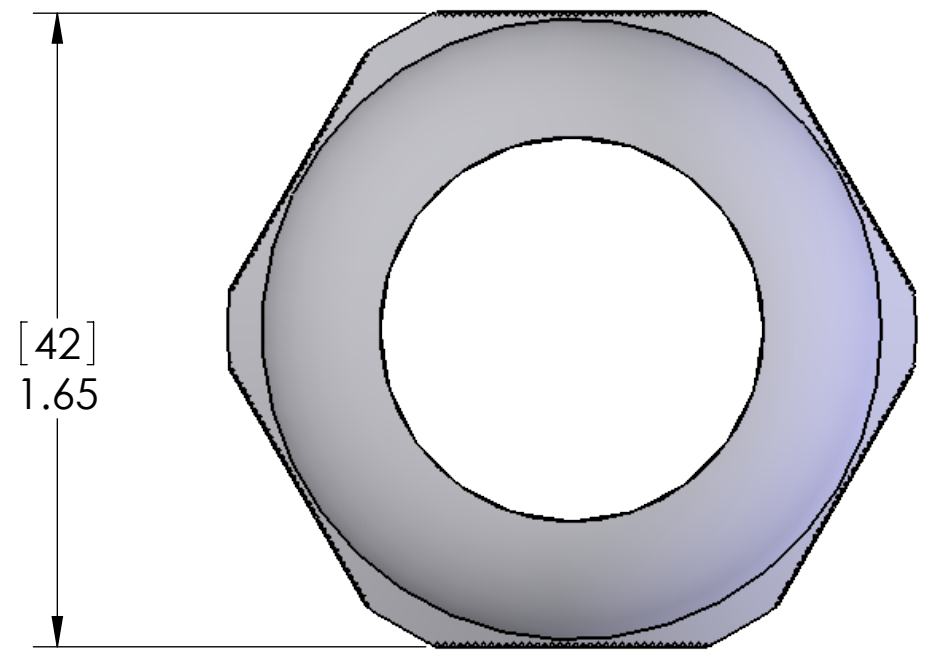


REVISIONS		
REV.	DESCRIPTION	DATE
A	REDRAWN IN SW	6/1/2006
B	Corrected dim.	7/17/2014



MATERIALS	
BODY:	GRAY OR BLACK POLYAMIDE
GROMMET:	NEOPRENE

SPECIFICATIONS:	
TIGHTENING TORQUE:	7.5 Nm
TEMPERATURE:	-20°C - +100°C

APPROVALS:	
US	UL RECOGNIZED
CANADA	C-UL RECOGNIZED

PART NUMBER	COLOR	SEALING RANGE
PCG-1.0	GRAY	.748 - .984 [19 - 25 MM]
PCG-1.0R	GRAY	.472 - .787 [12 - 20 MM]
PCG-1.0-B	BLACK	.748 - .984 [19 - 25 MM]
PCG-1.0R-B	BLACK	.472 - .787 [12 - 20 MM]

SEAL RATED TO: IP68

PROPRIETARY AND CONFIDENTIAL
 THE INFORMATION CONTAINED IN THIS DRAWING IS THE SOLE PROPERTY OF MENCOM CORPORATION. ANY REPRODUCTION IN PART OR AS A WHOLE WITHOUT THE WRITTEN PERMISSION OF MENCOM CORPORATION IS PROHIBITED.

UNLESS OTHERWISE SPECIFIED: DIMENSIONS ARE IN INCHES	DRAWN	NAME
	CHECKED	DWM
	ENG APPR.	
	MFG APPR.	
	Q.A.	
	COMMENTS:	
MATERIAL		
FINISH		

MENCOM CORPORATION		
TITLE:		
SIZE	DWG. NO.	REV
B	PCG-1.0	B
SCALE: 2:1	WEIGHT:	SHEET 1 OF 1

SPECIFICATIONS	DO NOT SCALE DRAWING