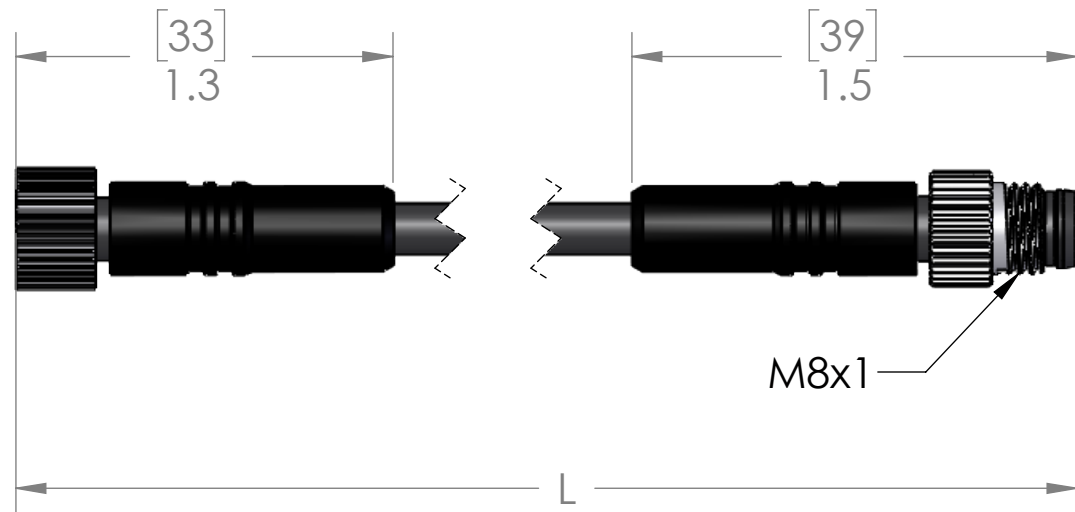
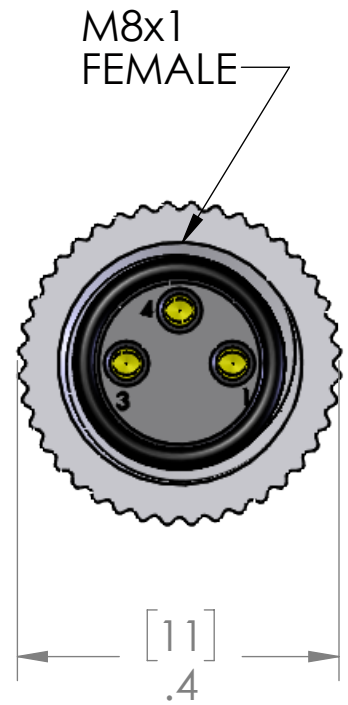


MALE	WIRING	FEMALE
1	-----	1
4	-----	4
3	-----	3



P/N	L	STD?
NAN-T-3MFP-0.5M	20"[.5M]	NO
NAN-T-3MFP-1M	40"[1M]	YES
NAN-T-3MFP-2M	79"[2M]	YES
NAN-T-3MFP-3M	118"[3M]	NO
NAN-T-3MFP-4M	157"[4M]	NO
NAN-T-3MFP-5M	197"[5M]	YES
NAN-T-3MFP-6M	236"[6M]	NO
NAN-T-3MFP-8M	315"[8M]	NO
NAN-T-3MFP-10M	393"[10M]	YES
NAN-T-3MFP-15M	590"[15M]	YES
NAN-T-3MFP-20M	786"[20M]	NO

PARTS LISTED AS NOT BEING STANDARD
MAY HAVE MINIMUM ORDER QUANTITIES

MATERIALS	
BODY:	BLACK PVC
CONTACTS:	GOLD PLATED COPPER ALLOY
CABLE:	
STYLE:	AWM
AWG:	22 AWG
JACKET:	BLACK PVC
VOLTAGE:	300V
SHIELD:	NO
COUPLING:	NICKEL PLATED BRASS
INSERT:	POLYAMIDE
O-RING:	NBR
RATINGS	
PROTECTION CLASS:	IEC IP67

PROPRIETARY AND CONFIDENTIAL
THE INFORMATION CONTAINED IN THIS DRAWING IS THE SOLE PROPERTY OF MENCOM CORPORATION. ANY REPRODUCTION IN PART OR AS A WHOLE WITHOUT THE WRITTEN PERMISSION OF MENCOM CORPORATION IS PROHIBITED.

VOLTS	60V
AMPS	3A
TEMP:	70°C

UNLESS OTHERWISE SPECIFIED: DIMENSIONS ARE IN INCHES AND [MM]	DRAWN BY	ADM
	DRAWN DATE	01/24/2024
	CHECKED BY	RP
	CHECK DATE	01/24/2024
COMMENTS:		
MATERIAL		
FINISH		
DO NOT SCALE DRAWING		

MENCOM CORPORATION		
TITLE: 3 PL NAN M-F EXT		
SIZE	DWG. NO.	REV
B	NAN-T-3MFP-ZZ	B
SCALE: 3:2	WEIGHT:	SHEET 1 OF 1