

8 7 6 5 4 3 2 1

D

D

C

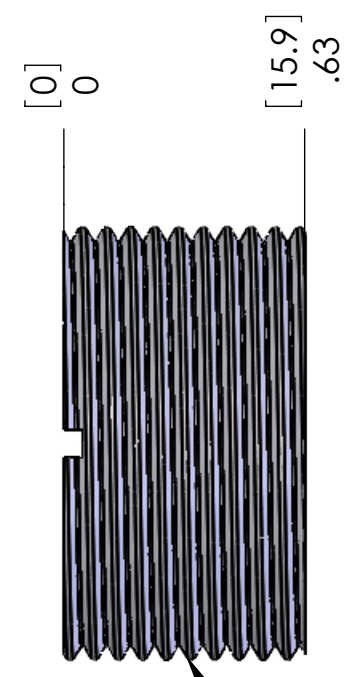
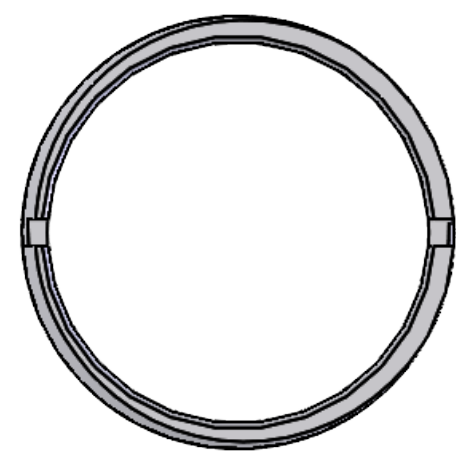
C

B

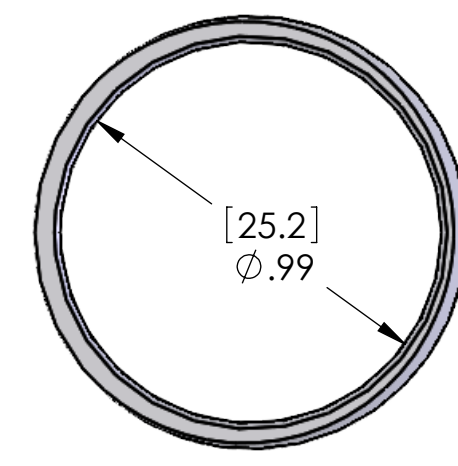
B

A

A



1.125-16 UN2A



**PROPRIETARY AND CONFIDENTIAL**  
 THE INFORMATION CONTAINED IN THIS DRAWING IS THE SOLE PROPERTY OF MENCOM CORPORATION. ANY REPRODUCTION IN PART OR AS A WHOLE WITHOUT THE WRITTEN PERMISSION OF MENCOM CORPORATION IS PROHIBITED.

UNLESS OTHERWISE SPECIFIED: DIMENSIONS ARE IN INCHES AND [MM]	DRAWN BY	ADM
	DRAWN DATE	05/11/2022
	CHECKED BY	ADM
	CHECK DATE	05/11/2022
COMMENTS:		
MATERIAL	360 1/2 Hd BRASS	
FINISH	BRIGHT NICKEL	
DO NOT SCALE DRAWING		

MENCOM CORPORATION		
TITLE: MIN3 ADAPTER COUPLING		
SIZE	DWG. NO.	REV
<b>B</b>	MIN-XMP3-AD	<b>C</b>
SCALE: 2:1	WEIGHT: 0.032	SHEET 1 OF 1

8 7 6 5 4 3 2 1