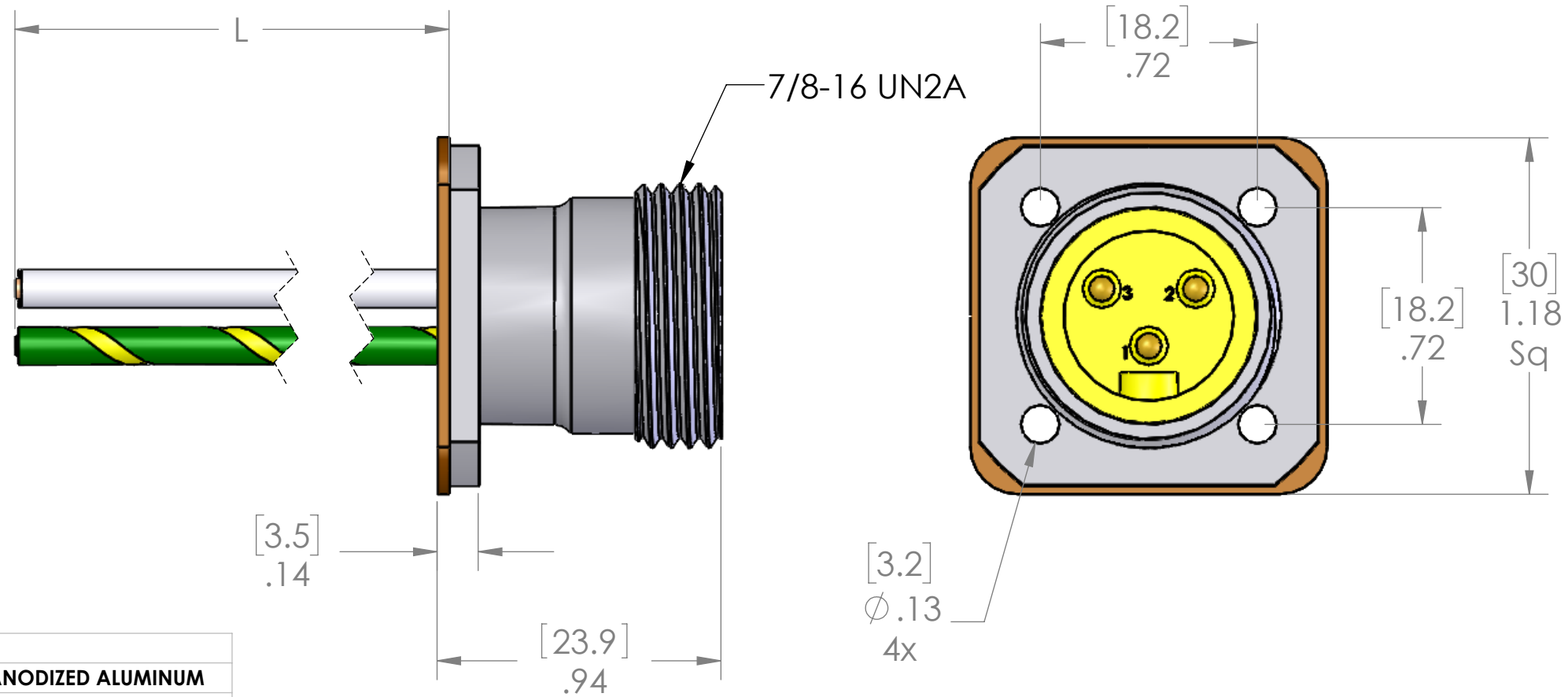


PIN #	COLOR
1	GREEN / YELLOW
2	BLACK
3	WHITE



P/N	L
MIN-3MR-1-PM	12" [0.3m]
MIN-3MR-2-PM	24" [0.6m]
MIN-3MR-3-PM	36" [0.6m]
MIN-3MR-4-PM	48" [1.2m]
MIN-3MR-5-PM	60" [1.5m]
MIN-3MR-6-PM	72" [1.8m]
MIN-3MR-10-PM	120" [3m]

OTHER LENGTHS ARE AVAILABLE
PLEASE CONSULT FACTORY

MATERIALS	
SHELL:	CLEAR ANODIZED ALUMINUM
CONTACTS:	GOLD PLATED COPPER ALLOY
WIRES:	
STYLE:	UL 1015
AWG:	16 AWG
JACKET:	PVC
VOLTAGE:	600V
INSERT:	YELLOW PVC
GASKET:	NBR
NUT:	N/A
APPROVALS	
US:	UL LISTED
CANADA:	C-UL LISTED
ROHS:	YES
CE & UKCA:	YES
RATINGS	
PROTECTION CLASS:	UL TYPE 4 & 12, IEC IP69

PROPRIETARY AND CONFIDENTIAL
THE INFORMATION CONTAINED IN THIS DRAWING IS THE SOLE PROPERTY OF MENCOM CORPORATION. ANY REPRODUCTION IN PART OR AS A WHOLE WITHOUT THE WRITTEN PERMISSION OF MENCOM CORPORATION IS PROHIBITED.

VOLTS	600V
AMPS	13A
TEMP:	105°C

UNLESS OTHERWISE SPECIFIED:	DRAWN BY	ADM
DIMENSIONS ARE IN INCHES AND [MM]	DRAWN DATE	09/21/2023
	CHECKED BY	JJH
	CHECK DATE	10/31/2023
COMMENTS:		
MATERIAL		
FINISH		
DO NOT SCALE DRAWING		

MENCOM CORPORATION		
TITLE:		
SIZE	DWG. NO.	REV
B	MIN-3MR-ZZ-PM	B
SCALE: 2:1	WEIGHT:	SHEET 1 OF 1