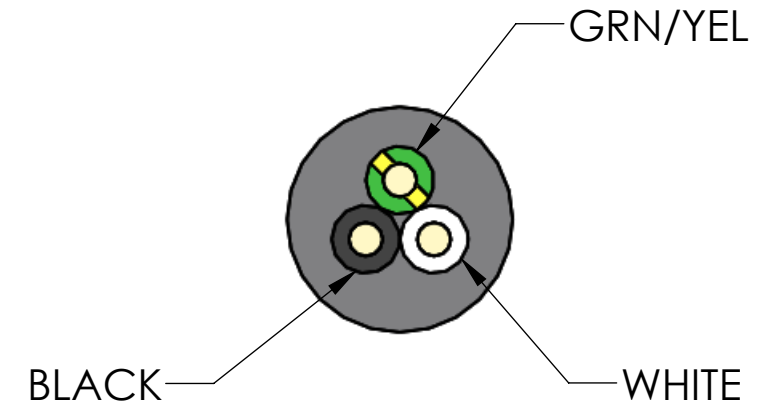
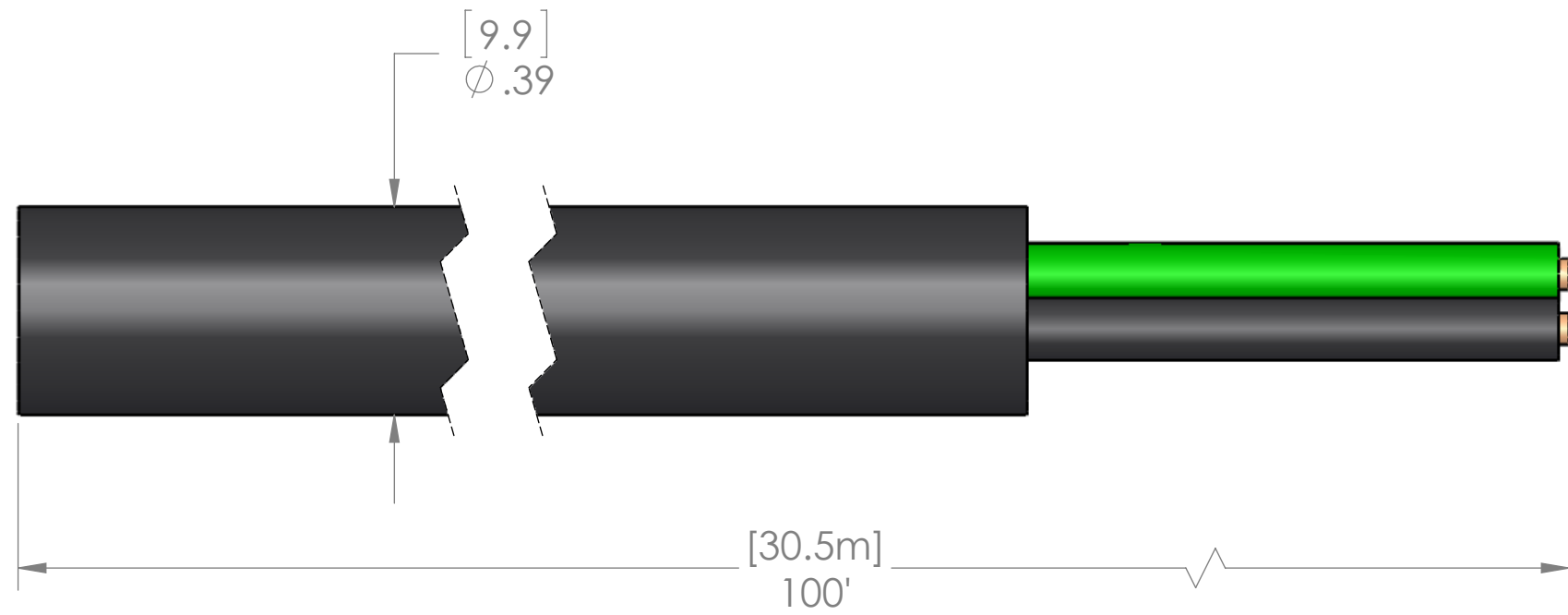


REVISIONS			
REV.	DESCRIPTION	DATE	APPROVED
A	REDRAWN IN SW	2/3/2011	



CABLE IS COILED AND TIED
BOTH ENDS BLUNT CUT

SPECIFICATIONS:	
UL STYLE:	STOOW
CSA STYLE:	STOOW
CABLE JACKET MATERIAL:	BLACK PVC
COND. STRANDING:	16AWG - 26x30 BC

PROPRIETARY AND CONFIDENTIAL
THE INFORMATION CONTAINED IN THIS DRAWING IS THE SOLE PROPERTY OF MENCOM CORPORATION. ANY REPRODUCTION IN PART OR AS A WHOLE WITHOUT THE WRITTEN PERMISSION OF MENCOM CORPORATION IS PROHIBITED.

UNLESS OTHERWISE SPECIFIED: DIMENSIONS ARE IN INCHES AND [MM]	NAME BEM
DRAWN	
CHECKED	
ENG APPR.	
MFG APPR.	
Q.A.	
COMMENTS:	
CABLE JACKET MATERIAL	
CONDUCTOR JACKET	
DO NOT SCALE DRAWING	

MENCOM CORPORATION		
TITLE: 16/3 STOOW BLACK CABLE		
SIZE B	DWG. NO. MIN-3CBL-C-B	REV A
SCALE: 3:1	WEIGHT:	SHEET 1 OF 1