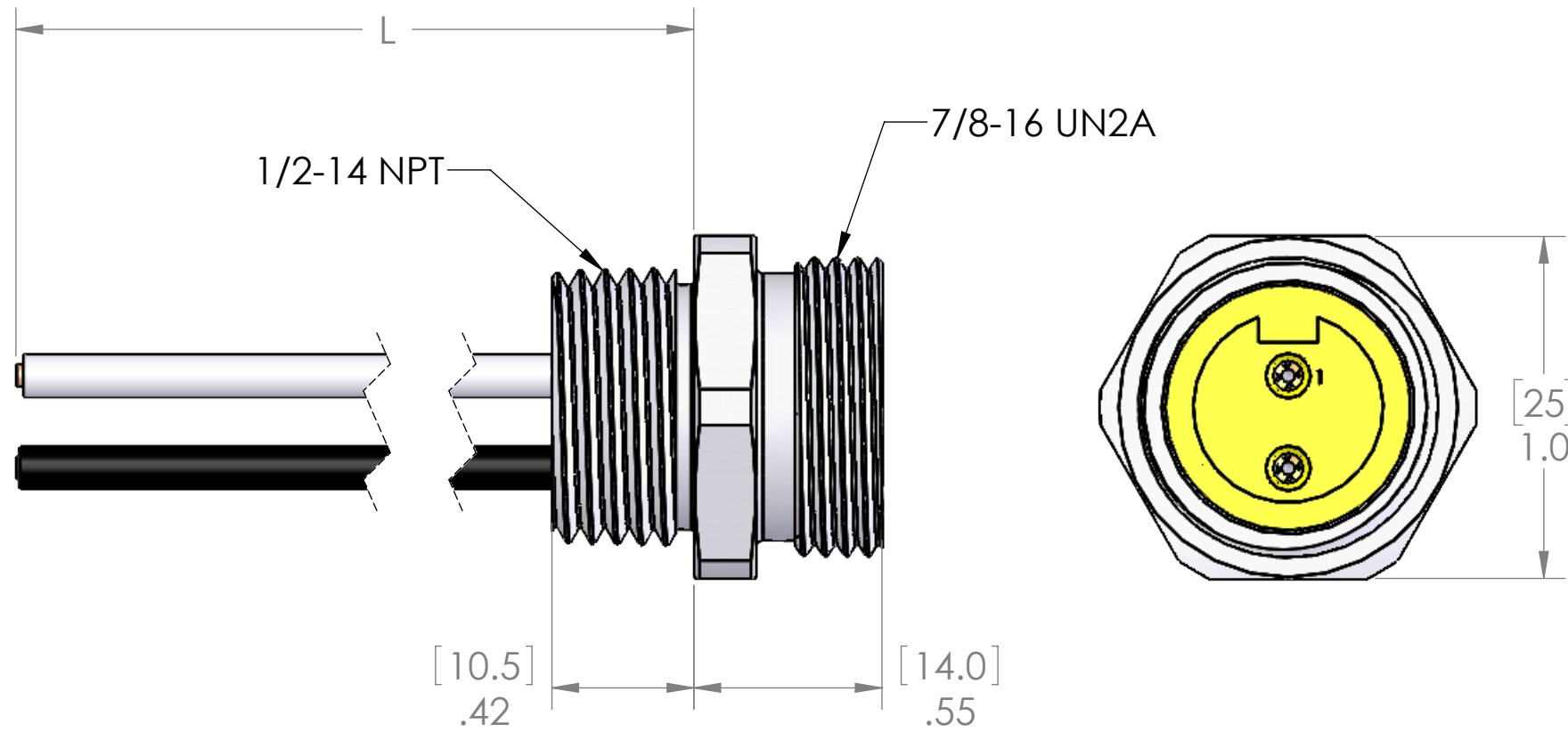


PIN #	COLOR
1	WHITE
2	BLACK



AN O-RING AND LOCKNUT ARE INCLUDED ON LENGTHS OF 24" [0.6M] AND LONGER.

P/N	L
MIN-2FR-1	12" [0.3m]
MIN-2FR-2	24" [0.6m]
MIN-2FR-3	36" [0.9m]
MIN-2FR-4	48" [1.2m]
MIN-2FR-5	60" [1.5m]
MIN-2FR-6	72" 1.8m]
MIN-2FR-10	120" [3m]

OTHER LENGTHS ARE AVAILABLE PLEASE CONSULT FACTORY

MATERIALS	
SHELL:	CLEAR ANODIZED ALUMINUM
CONTACTS:	GOLD PLATED COPPER ALLOY
WIRES:	
STYLE:	UL 1015
AWG:	16 AWG
JACKET:	PVC
VOLTAGE:	600V
INSERT:	YELLOW PVC
O-RING:	NBR
NUT:	ZINC PLATED STEEL
APPROVALS	
US:	UL LISTED
CANADA:	C-UL LISTED
ROHS:	YES
CE & UKCA:	YES
RATINGS	
PROTECTION CLASS:	UL TYPE 4 & 12, IEC IP69

PROPRIETARY AND CONFIDENTIAL
THE INFORMATION CONTAINED IN THIS DRAWING IS THE SOLE PROPERTY OF MENCOM CORPORATION. ANY REPRODUCTION IN PART OR AS A WHOLE WITHOUT THE WRITTEN PERMISSION OF MENCOM CORPORATION IS PROHIBITED.

VOLTS	600V
AMPS	13A
TEMP:	105°C

UNLESS OTHERWISE SPECIFIED:	DRAWN BY	ADM
DIMENSIONS ARE IN INCHES AND [MM]	DRAWN DATE	09/05/2023
	CHECKED BY	JJH
	CHECK DATE	09/06/2023
MATERIAL	COMMENTS:	
FINISH		
DO NOT SCALE DRAWING		

MENCOM CORPORATION		
TITLE: 2 PL MIN FEM RECP		
SIZE B	DWG. NO. MIN-2FR-ZZ	REV B
SCALE: 2:1	WEIGHT:	SHEET 1 OF 1