

PIN #	COLOR
1	WHITE / BLUE
2	WHITE / BROWN
3	BROWN
4	ORANGE
5	WHITE / GREEN
6	WHITE / ORANGE
7	BLUE
8	GREEN

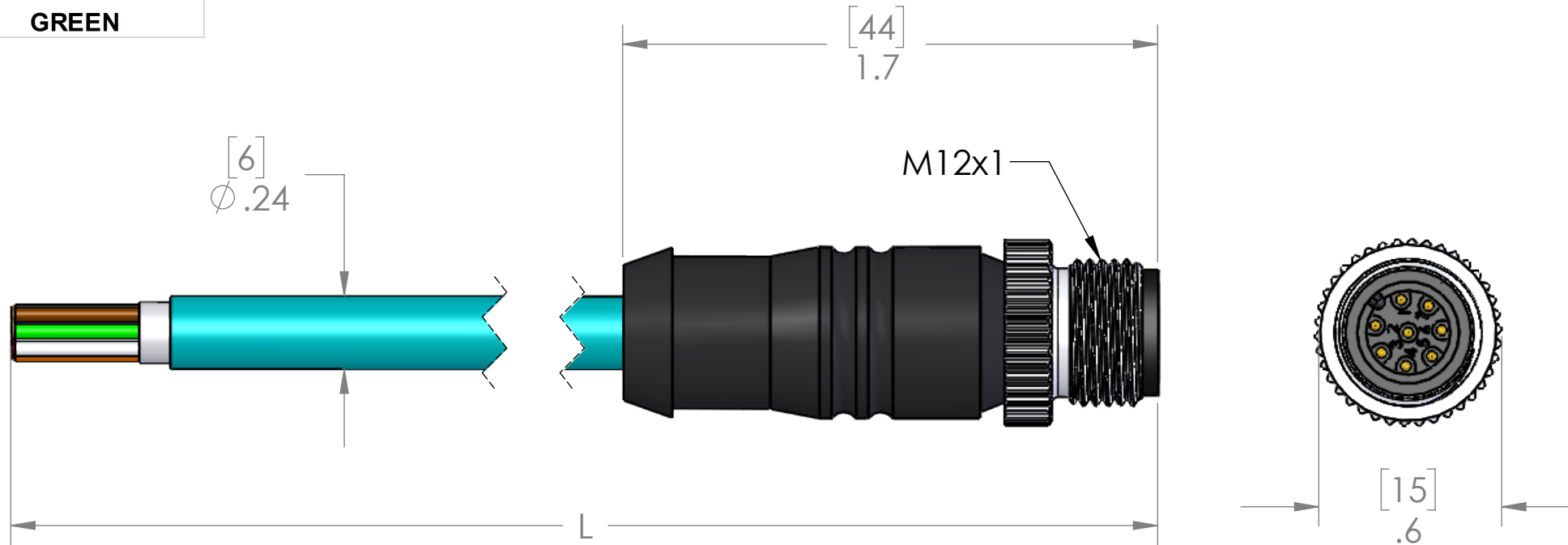


TABLE A		
P/N	L	STD
MDE45PB-8MP-1M	40" [1M]	YES
MDE45PB-8MP-2M	79" [2M]	YES
MDE45PB-8MP-3M	118" [3M]	NO
MDE45PB-8MP-4M	157" [4M]	NO
MDE45PB-8MP-5M	197" [5M]	YES
MDE45PB-8MP-6M	236" [6M]	NO
MDE45PB-8MP-8M	315" [8M]	NO
MDE45PB-8MP-10M	393" [10M]	YES
MDE45PB-8MP-12M	472" [12M]	NO
MDE45PB-8MP-15M	591" [15M]	YES

CABLE LISTED AS NOT BEING STANDARD
MAY REQUIRE MINIMUM ORDER QUANTITIES

MATERIALS	
BODY:	BLACK PUR
CONTACTS:	GOLD PLATED COPPER ALLOY
CABLE:	
STYLE:	AWM CAT 5e
AWG:	26 AWG
JACKET:	TEAL PUR
VOLTAGE:	600V
SHIELD:	BRAIDED
COUPLING:	NICKEL PLATED BRASS
INSERT:	POLYAMIDE
O-RING:	N/A
APPROVALS	
US:	UL LISTED
CANADA:	C-UL LISTED
ROHS:	YES
CE & UKCA:	YES
RATINGS	
PROTECTION CLASS:	IEC IP69

PROPRIETARY AND CONFIDENTIAL
THE INFORMATION CONTAINED IN THIS DRAWING IS THE SOLE PROPERTY OF MENCOM CORPORATION. ANY REPRODUCTION IN PART OR AS A WHOLE WITHOUT THE WRITTEN PERMISSION OF MENCOM CORPORATION IS PROHIBITED.

VOLTS	60V
AMPS	2A
TEMP:	80°C

UNLESS OTHERWISE SPECIFIED:	DRAWN BY	ADM
DIMENSIONS ARE IN INCHES AND [MM]	DRAWN DATE	08/23/2023
	CHECKED BY	JJH
	CHECK DATE	08/24/2023
MATERIAL	COMMENTS:	
FINISH		
DO NOT SCALE DRAWING		

MENCOM CORPORATION		
TITLE:		
SIZE	DWG. NO.	REV
B	MDE45PB-8MP-ZZ	C
SCALE: 2:1	WEIGHT:	SHEET 1 OF 2

CABLE SPECIFICATIONS:

Construction:

Conductor: 26AWG 7/34 stranded tinned copper
 Insulation: HDPE
 Pairs: Color Coded singles twisted into pairs
 Cable: (4) Twisted pairs twisted together and wrapped with polyester binder
 Overall shield of 38AWG tinned copper braid (75% min coverage).
 Aluminized polyester foil shield (foil in) over the braid.
 Jacket: Polyurethane, teal. Pressure extruded

Physical Properties:

Temperature Rating, max: 75°C
 Temperature Rating, min: -40°C
 Wt./m' nom., net: 35.5 lbs
 Flex Life: 1 Million cycle test (10x cable OD min. rad.)
 10 Million cycle test (20x cable OD min rad.)
 Jacket Smoke Generation: Ds = 251 (Flaming, @ 4 minutes)
 (per ASTM E662, nom.) Ds = 16 (Non-Flaming, @ 4 minutes)

Electrical Characteristics:

Capacitance, mutual: 13.5 PF/Ft at 1 MHz
 Dielectric withstanding, min: 1500V RMS
 Voltage rating, max: 300V
 D.C. Resistance, max: 42.6 Ω/1000 Ft
 Impedance: 100 +/- 15Ω 1 - 100 MHz;
 Impedance Smooted: 100 +/- 10Ω Typical 5 - 100 MHz;
 SRL: 23 db 1 - 20 MHz
 23 - 10 LOG(F/20) 20 - 100 MHz

Return Loss: 1 - 10 MHz 20 + 5 LOG (F) db min
 10 - 20 MHz 25 db min
 20 - 100 MHz 25 - 8.6 LOG(F/20) db min

PS Next: 1 - 100 MHz 64 - 15 LOG(F/.772) min
 Next: 1 - 100 MHz 67 - 15 LOG(F/.772) min
 PS Elfext: 1 - 100 MHz 63 - 20 LOG(F/.772) min
 Elfext: 1 - 100 MHz 66 - 20 LOG(F/.772) min
 Attenuation 1 - 100 MHz 1.5[1.967 sqrt(F)+.23(F) + 0.5/sqrt(F)] max
 Delay: 1 - 100 MHz 534 + 36/sqrt(F)
 Delay Skew: 1 - 100 MHz <25nS
 Coupling Attenuation: 30 - 100 MHz 50dB min
 Velocity Propagation: 68%

Note: All cable testing done with raw cable off the reel.

DRAWN BY	ADM	MENCOM CORPORATION		
DRAWN DATE	08/23/2023			
CHECKED BY	JJH	TITLE:		
CHECK DATE	08/24/2023			
COMMENTS:		SIZE	DWG. NO.	REV
		B	MDE45PB-8MP-ZZ	C
		SCALE: 2:1	WEIGHT:	SHEET 2 OF 2